

HITACHI

CONSTRUCTION HYDRAULIC EXCAVATOR ZX345USLC-7H

Reliable Solutions



Gross Power : 264 HP (197 kW)
Operating Weight : 76,955 – 79,380 lb (34,900 – 36,000 kg)
Bucket Capacity : 1.30 – 2.11 yd³ (1.00 – 1.62 m³)
Model Code : ZX345USLC-7H

ZAXIS345

Hitachi Construction Machinery Group

LANDCROS

Japanese Excellence—Reliable Solutions

A Legacy of Confidence

Known worldwide, Hitachi Construction Machinery has helped generations of builders, doers, and earth-movers accomplish their goals. Hitachi Construction Machinery Americas is the source for all U.S. and Latin American operations hoping to improve productivity and reduce costs — all while building our shared future.

Pioneering Progress Together

From dedicated Rental and Used machines business to servicing, parts sales, and remote diagnostic support, Hitachi Construction Machinery Americas has the know-how and desire to establish productive working partnerships across the region. A network of independent, local dealers providing sales and service support are at the ready, waiting to begin work on the next phase of your legacy.



Welcome to

Hitachi Construction

Endless Ambition

All of our machines have been built at state-of-the-art Hitachi Construction Machinery production facilities in Japan, after incorporating the unique needs of our North American customers. Designed for the toughest terrains, harshest environments and most intricate projects, we believe there is no job that couldn't make use of our machine.

Unwavering Dependability

Our dedication to reliability parallels our commitment for your comfort. Safety is non-negotiable; our machines adhere to the highest standards, ensuring your team's well-being. Count on Hitachi Construction Machinery Americas for peace of mind to ensure every team member returns home safely after a hard day's work.



Machinery Americas



QUALITY in Action

Hitachi Construction Machinery Americas is proud to introduce ZAXIS-7, the next evolution of excavators that proudly wear our name.

At job sites across the world, our partners depend on the latest Hitachi Construction Machinery Americas equipment for increased productivity, improved operator comfort, efficient maintenance needs and innovative safety features proven to keep workers safe.

This brochure is a guide for day-to-day operators as well as fleet owners of this equipment who are hoping to save time, money, to dream big — and build bigger.

Building on decades of quality engineering, Hitachi Construction Machinery Americas presents the ZAXIS-7 lineup, featuring the ZX345USLC-7H 'Ultrashort' excavator.



TABLE OF CONTENTS

02 Who We Are

04 Introduction

06 Machine Highlights

08 Performance

10 Applications

12 Inside the Cab

14 Service & Maintenance

16 Safety

18 Specifications

Build it **BIGGER**

Loaded with potential: the new ZX345USLC-7H benefits from meaningful changes that will add up to deliver better productivity, lower operating costs, and improved operator comfort. In addition, major systems have been overhauled from arm to tracks, with special focus on maximizing the number of compatible attachments, ease of coupling, and fuel efficiency across a range of uses.

When using heavy attachments, ZX345USLC-7H operators have a number of tools at their disposal, including Tilt Control, Attachment / Arm Tuning Control, Hydraulic Quick Couplers, and several other specialized heavy-duty features.

With intuitive controls at the ready, operators can trust the ZX345USLC-7H for peak performance and confident productivity.

Improved Design

Accomplish a wide variety of jobs with a powerful platform proven in multiple applications, then extend capability as-needed with a range of attachments.



Next Generation Technology

Integrated 8" anti-glare LCD monitor controls all major functions, including a 270° AERIAL ANGLE camera system, ECO Mode, and more.

Powerful, Durable Engine

Proven Isuzu brand diesel engine with up to 774 lbf of torque.

Increased Durability

Stout undercarriage with integrated X-Frame and enhanced track protection.

Quality Materials

From non-slip exterior surfaces to more durable interior materials, the ZX345USLC-7H is made to last.





First-Class Cab Comfort

Maximum cab space, visibility of controls, and operator line-of-sight



Enhanced Productivity

Uptime is everything: lower fuel consumption and higher quality components mean less downtime and lower servicing costs.



Service & Maintenance

With ConSite Air, ConSite Oil, and field-tested maintenance routines, ZX345USLC-7H is a workhorse with predictable service intervals.



Gross Power : 264 HP (197 kW)
Operating Weight : 76,955 – 79,380 lb (34,900 – 36,000 kg)
Bucket Capacity : 1.30 – 2.11 yd³ (1.00 – 1.62 m³)
Model Code : ZX345USLC-7

Heavy Lift **POWER**

Accomplish more with the unparalleled torque, speed and precision of the ZX345USLC-7H. With a proven 264 horsepower (197 kW) for applications as diverse as earthmoving, material handling, demolition, underground excavation, and more.

Precision Function Control

Fine tuned speed control for attachment and arm. Lower fuel consumption while unloaded and while digging with efficiency refinements over previous generation models.



Standard Work Modes

Three operator work modes (ECO, PWR, HP) best match available power to job site conditions.

Modern Emissions Controls

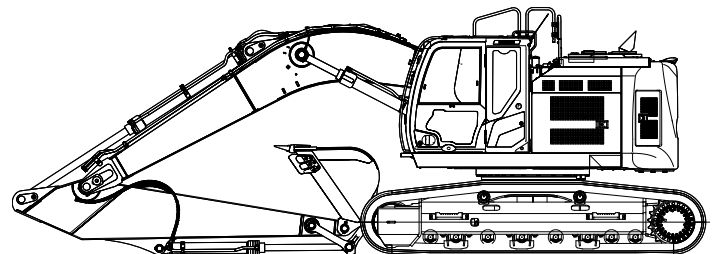
Durable diesel oxidation catalyst (DOC) and selective catalytic reduction (SCR) aftertreatment solution to protect the environment while preventing downtime.

Smart Engine Management

Isuzu Tier 4 Final Engine with built-in modes like an auto idle system with auto shutdown control to enhance fuel efficiency.

Full Operator Control

Settings monitor allows operators to tailor attachment and arm speed for a range of jobs, from heavy digging to truck loading.



HIGHLY ADAPTABLE



**RELIABLE
POWER**
and efficient
operation

Excavator

Seriously **RELIABLE**

No matter the job site, the ZX345USLC-7H with ultrashort tail swing puts digging power where it's needed, without requiring much space to operate. Excellent for residential & commercial construction, road & highway infrastructure improvements, and at equipment rental operations. A wide number of attachments allows the machine to adapt as needed to get the job done.





“ As a Wajax employee, I’ve seen firsthand how **Hitachi Construction Machinery Americas delivers outstanding reliability and performance across a variety of demanding projects.** Their machines consistently meet the high standards our customers expect, and their durability and advanced technology make them a trusted choice for heavy-duty applications. Hitachi is a brand we confidently stand behind. ”

Tony Hodgins
WAJAX
Director, Operational Excellence





1

2

3

4

5

6

7

8

9

10

16

15

13

14

12

11



COMFORT Lives Here

See and be seen: a larger interior with more head clearance and less noise, a panoramic view from the cab, and one-touch adjustable air suspension seat synchronized to move with the console. ROPS and FOPS certified cab.

- 1 Increased sweeping area of parallel link wiper** enhances visibility in difficult working conditions.
- 2 Air conditioning and audio** are easily controlled via the monitor.
- 3 Low-reflective color 8" LCD monitor** is easy to view and navigate.
- 4 USB socket and smartphone holder** helps you stay connected.
- 5 Cup holder** is easy to detach for cleaning.
- 6 Additional joystick controls** for effortless operation.
- 7 Ergonomic design** gives you convenient access to controls.
- 8 Bluetooth®** for hands-free calls.
- 9 Multifunctional control panel** makes operation easier.
- 10 Improved sound isolation** makes this one of the quietest cabs in the market.
- 11 Convenient storage space** keeps your workspace tidy and clutter-free.
- 12 Coat hooks** take care of your personal belongings.
- 13 One-touch adjustment lever for console** so you can work comfortably in the optimum position.
- 14 Integrated console and seat suspension** gives a greater sense of control and helps to reduce fatigue.
- 15 Increased legroom** creates a more spacious cab.
- 16 Optimal pedal layout** helps to reduce fatigue.



SERVICE That Sticks

Protect your investment with proactive support services. Maintaining a robust distribution network to support customers' uptime is core to our business — and yours. Your dealer and your support team are dedicated to maintaining your uptime. Ask about how ConSite Oil and ConSite Air technology further increases uptime — a Hitachi Construction Machinery exclusive.

ConSite
Consolidated Solution for Construction Sites



NO HASSLE Maintenance

From up-to-the-second remote management with ConSite to the leading Hitachi Construction Machinery Americas Certified Remanufactured Components program, maintenance support is second-to-none. Identify problems before they start and supercharge productivity with our behind-the-scenes data platform that allows for remote fleet diagnostic access.



360° SAFETY

Work with confidence anywhere. Innovative, standard safety features are core to maintaining an incident-free jobsite. From a standard AERIAL ANGLE camera system to a suite of operator tools to ensure safety, always.

AERIAL ANGLE Cameras

Peripheral vision camera system provides a wide 270-degree bird's-eye view of the machine's immediate environment.

Unmatched Visibility

See and be seen: LED work lights, large reflective strips, improved windshield wiper and roller sunshades ensure visibility in all conditions.

Cab Guards

Optional cab guarding increases operator protection in extreme and challenging environments.

Multi-Angle Camera Display

With left, rear, and right side cameras and six different viewing positions from inside the cab display, operators can see clearly in all directions.

Hose Rupture Valves

Optional hydraulic hose rupture valves instantaneously prevent loads from shifting if a line becomes damaged.





SPECIFICATIONS

ZX345USLC-7H

ENGINE	
Model	Isuzu 6HK1X
Type	4-cycle water-cooled, common rail direct injection
Aspiration	Variable geometry turbocharged, intercooled, cooled EGR
Aftertreatment	DOC + SCR system
No. of cylinders	6
Rated power	
ISO 14396: 2002 gross	264 HP (197 kW) at 1,900 min ⁻¹
ISO 9249: 2007 net	249 HP (186 kW) at 1,900 min ⁻¹
Maximum torque	774 lbf (1,050 Nm) at 1,500 min ⁻¹
Piston displacement	475.38 cu. in. (7.79 L)
Bore and stroke	4.5" x 4.9" (115 mm x 125 mm)
Batteries	2 x 12 V / 135 Ah

HYDRAULIC SYSTEM			
Hydraulic Pumps			
Main pumps	3 variable displacement axial piston pumps		
Maximum oil flow	2 x 62 gal/min (236 L/min) 1 x 55 gal/min (211 L/min)		
Pilot pump	1 gear pump		
Maximum oil flow	9.2 gal/min (34.7 L/min)		
Hydraulic Motors			
Travel	2 variable displacement axial piston motors		
Swing	1 axial piston motor		
Relief Valve Settings			
Implement circuit	4,974.8 psi (34.3 MPa)		
Swing circuit	4,699.2 psi (32.4 MPa)		
Travel circuit	4,974.8 psi (34.3 MPa)		
Pilot circuit	565.6 psi (3.9 MPa)		
Power boost	5,511.4 psi (38.0 MPa)		
Hydraulic Cylinders			
	Quantity	Bore	Rod diameter
Boom	2	5.3" (135 mm)	3.9" (100 mm)
Arm	1	5.9" (150 mm)	4.1" (105 mm)
Bucket	1	5.3" (135 mm)	3.5" (90 mm)

UPPERSTRUCTURE	
Revolving Frame	
D-section frame for resistance to deformation.	
Swing Device	
Axial piston motor with planetary reduction gear is bathed in oil. Swing circle is single-row. Swing parking brake is spring-set/hydraulic-released disc type.	
Swing speed	10.5 min ⁻¹
Swing torque	66 749 lbf (90.5 kNm)

UPPERSTRUCTURE	
Revolving Frame	
D-section frame for resistance to deformation.	
Swing Device	
Axial piston motor with planetary reduction gear is bathed in oil. Swing circle is single-row. Swing parking brake is spring-set/hydraulic-released disc type.	
Swing speed	10.3 min ⁻¹
Swing torque	66,749 lbf (90.5 kNm)

UNDERCARRIAGE	
Tracks	
Heat-treated connecting pins with dirt seals. Hydraulic (grease) track adjusters with shock-absorbing recoil springs.	
Numbers of Rollers and Shoes on Each Side	
Upper rollers	2
Lower rollers	8
Track shoes	48
Track guards	3
Travel Device	
Each track driven by 2-speed axial piston motor. Parking brake is spring-set/hydraulic-released disc type. Automatic transmission system: High-Low.	
Travel speeds	High: 0 to 2.5 mph (0 to 4.1 km/h) Low: 0 to 1.6 mph (0 to 2.6 km/h)
Maximum traction force	66,993 lbf (298 kN)
Gradeability	70% (35°) continuous

SERVICE REFILL CAPACITIES	
Fuel tank	100.3 gal (380.0 L)
Engine coolant	10.8 gal (41.0 L)
Engine oil	12.7 gal (48.0 L)
Swing device	3.1 gal (11.7 L)
Travel device (each side)	2.9 gal (11.0 L)
Hydraulic system	66.3 gal (251.0 L)
Hydraulic oil tank	42.2 gal (160.0 L)
DEF/AdBlue® tank	4.2 gal (16.0 L)

ENVIRONMENT	
Engine Emissions	EPA Final Tier 4 / EU Stage IV
Sounds Level	
Sound level in cab according to ISO 6396: 2008	LpA 71 dB(A)
External sound level according to ISO 6395: 2008 and EU Directive 2000/14/EC	LwA 104 dB(A)

WEIGHTS AND GROUND PRESSURE

Operating Weight and Ground Pressure

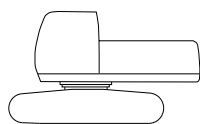
			ZX345USLC-7H ^{*1}	
Boom type			Monoblock	
Shoe type	Shoe width, inch (mm)	Arm length, ft-in (m)	lb (kg)	psi (kPa)
Triple grouser	32" (800)	12'4" (3.76)	79,366 (36,000)	7.40 (51.0)

*1 Including 1.63 yd³ (1.25 m³) (ISO 7451: 2007 heaped) bucket weight, 2,249 lb (1,020 kg) and counterweight, 19,136 lb (8,680 kg).

BASIC MACHINE WEIGHT AND COMPONENTS WEIGHT

Basic Machine Weight and Overall Width

Excluding front end attachment, fuel, hydraulic oil and coolant etc. Including counterweight.



		ZX345USLC-7H	
Shoe Type	Shoe width inch (mm)	Weight lb (kg)	Overall width inch (mm)
Triple grouser	32" (800)	65,477 (29,700)	11' 1" (3,390)

Components Weight

Unit: lb (kg)

		ZX345USLC-7H
Counterweight		19,136 (8,680)
Monoblock boom (with arm cylinder and boom cylinder)		6,702 (3,040)
Arm 12' 4" (3.76 m) (with bucket cylinder)		3,549 (1,610)
Bucket ISO 7451: 2007 1.63 yd ³ (1.25 m ³)		2,249 (1,020)

BUCKET AND ARM DIGGING FORCE

Unit: lbf (kN)

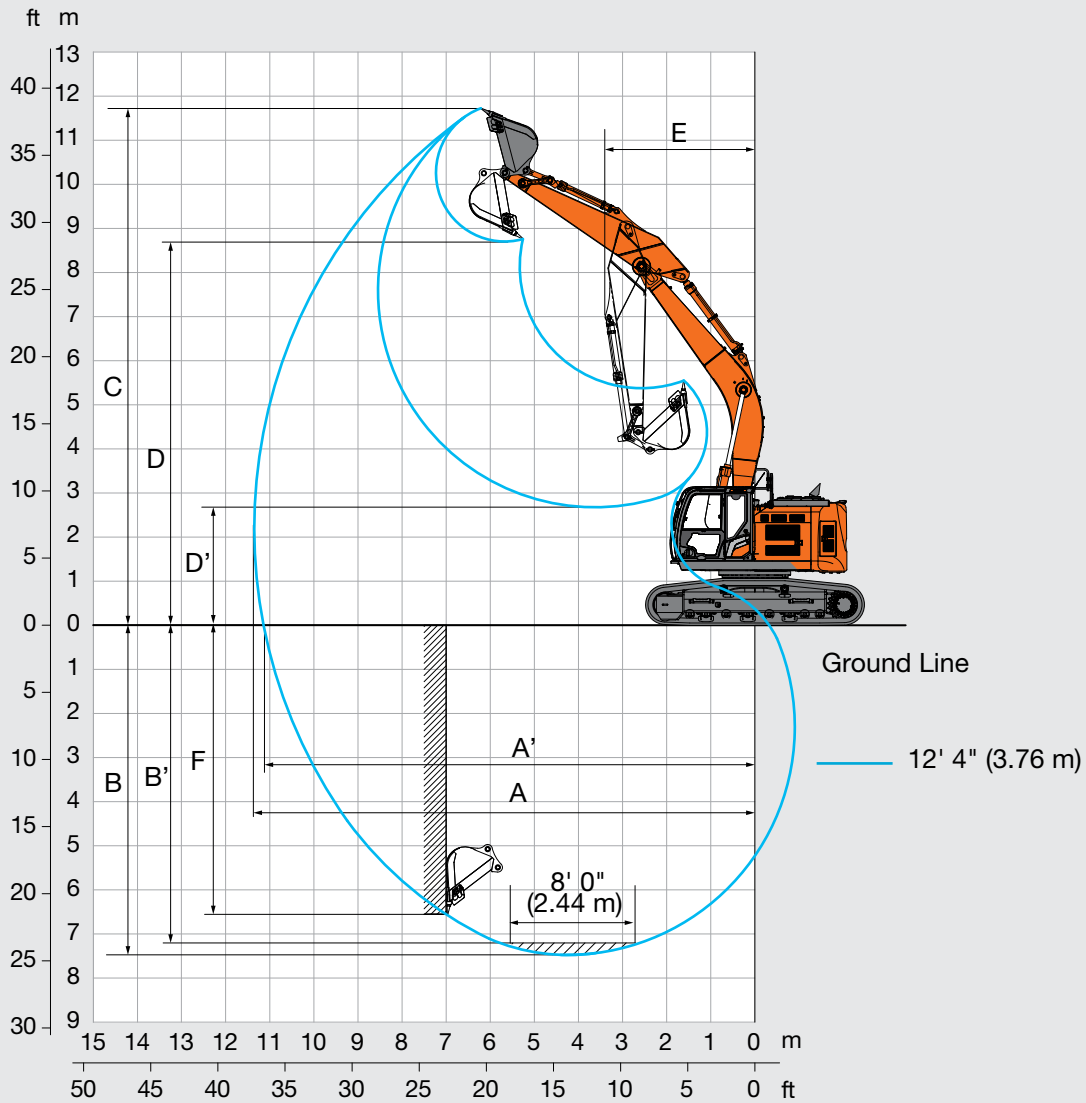
		ZX345USLC-7H
Arm length		12' 4" (3.76 m)
Bucket digging force* ISO 6015: 2006		45,411 (202)
Arm crowd force* ISO 6015: 2006		32,372 (126)

* Calculated value at power boost

SPECIFICATIONS

ZX345USLC-7H

WORKING RANGES

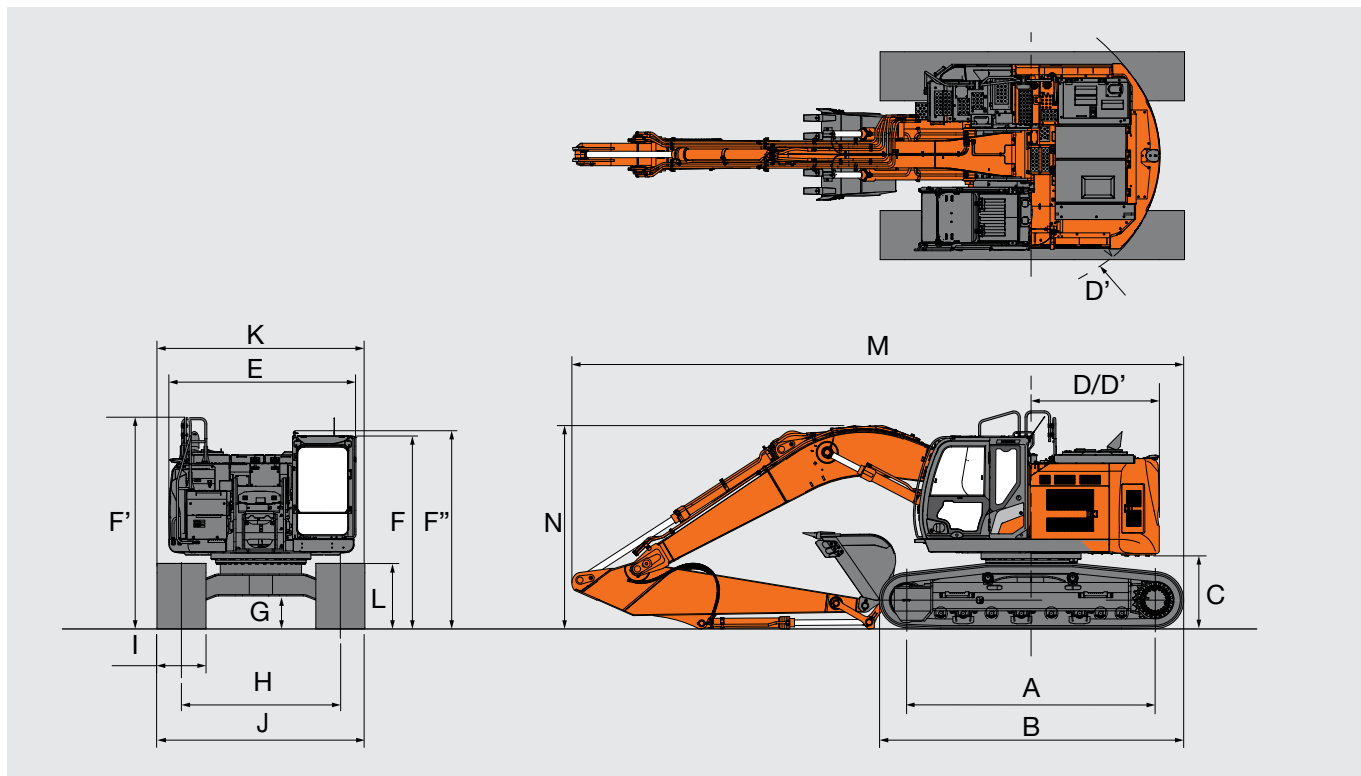


Unit: ft-in (mm)

	ZX345USLC-7H
	Monoblock boom
Arm length	12' 4" (3.76 m)
A Max. digging reach	37' 7" (11,460)
A' Max. digging reach (on ground)	36' 10" (11,220)
B Max. digging depth	24' 10" (7,570)
B' Max. digging depth for 8' 0" (2.44 m) level	24' 4" (7,410)
C Max. cutting height	38' 4" (11,690)
D Max. dumping height	28' 5" (8,670)
D' Min. dumping height	9' 1" (2,780)
E Min. swing radius	11' 1" (3,390)
F Max. vertical wall digging depth	22' 0" (6,550)

Excluding track shoe lug

DIMENSIONS



Unit: ft-in (mm)

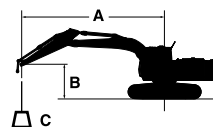
		ZX345USLC-7H
		Monoblock boom
A	Distance between tumblers	13' 3" (4 050)
B	Undercarriage length	16' 4" (4 970)
*C	Counterweight clearance	3' 10" (1 160)
D	Rear-end swing radius	6' 10" (2 090)
D'	Rear-end length	6' 10" (2 090)
E	Overall width of upperstructure	10' 0" (3 050)
F	Overall height of cab	10' 4" (3 150)
F'	Overall height of handrail	11' 8" (3 560)
F''	Overall height of handrail (on cab)	10' 8" (3 230)
*G	Min. ground clearance	1' 8" (500)
H	Track gauge	8' 6" (2 590)
I	Track shoe width	G 2' 7" (800)
J	Undercarriage width	11' 1" (3 390)
K	Overall width	11' 1" (3 390)
*L	Track height with triple grouser shoes	3' 6" (1 070)
Overall length		
M	With Arm 10' 2" (3.11 m)	32' 9" (9 980)
	With Arm 12' 4" (3.76 m)	32' 9" (9 970)
Overall height of boom		
N	With Arm 10' 2" (3.11 m)	10' 12" (3 350)
	With Arm 12' 4" (3.76 m)	10' 11" (3 320)

* Excluding track shoe lug
G: Triple grouser shoe

MACHINE CAPACITIES

ZX345USLC-7H

- Notes:
1. Ratings are based on ISO 10567: 2007.
 2. Machine capacity does not exceed 75% of tipping load with the machine on firm, level ground or 87% full hydraulic capacity.
 3. The load point is the center-line of the bucket pivot mounting pin on the arm.
 4. *Indicates load limited by hydraulic capacity.
 5. 0 ft (0 m) = Ground.
 6. Machine specifications exclude the bucket.



- A: Load radius
 B: Load point height
 C: Machine capacity

For machine capacities, subtract installed attachment and quick hitch weight from machine capacities.
 To determine lifting capacities, apply "Rating over-side or 360°" machine capacities from the table and deduct weight of installed attachment and quick hitch.
 Optional feature may affect machine performance.

ZX345USLC-7H MONOBLOCK BOOM

Rating over-front Rating over-side or 360 degrees Unit : lb (kg)

Conditions	Load point height (ft (m))	Load radius												At max. reach		
		5 ft (1.5 m)		10 ft (3.0 m)		15 ft (4.5 m)		20 ft (6.0 m)		25 ft (7.5 m)		30 ft (9.0 m)		ft-in (meter)		
Boom 20' 4" (6.20 m) Arm 10' 2" (3.11 m) Counterweight 19 136 lb (8 680 kg)	25' (7.5)							*17 050 (*7 830)	*17 050 (*7 830)	(*5 660)	(*5 660)			*10 700 (*4 830)	*10 700 (*4 830)	24' 11" (7.68)
	20' (6.0)							*19 050 (*8 750)	*19 050 (*8 750)	*16 760 (*7 890)	13 430 (6 240)			*10 310 (*4 670)	*10 310 (*4 670)	27' 11" (8.54)
	15' (4.5)					*27 380 (*12 750)	*27 380 (*12 750)	*21 760 (*10 050)	18 320 (8 480)	*18 910 (*8 680)	13 060 (6 060)	(*5 160)	(4 540)	*10 360 (*4 700)	9 930 (4 480)	29' 8" (9.07)
	10' (3.0)					*34 400 (*16 010)	26 170 (12 110)	*24 970 (*11 550)	17 350 (8 030)	*20 470 (*9 420)	12 590 (5 830)	*13 480 (*7 020)	9 580 (4 440)	*10 790 (*4 900)	9 310 (4 220)	30' 6" (9.31)
	5' (1.5)					*36 110 (*15 010)	24 660 (11 430)	*27 550 (*12 730)	16 530 (7 650)	20 410 (9 470)	12 150 (5 630)	*14 750 (7 240)	9 370 (4 350)	*11 630 (*5 280)	9 140 (4 140)	30' 6" (9.30)
	0 (Ground)					*37 250 (*15 970)	24 060 (11 170)	27 980 (13 000)	16 030 (7 430)	20 060 (9 310)	11 840 (5 480)	(*6 330)	(4 280)	*13 090 (*5 930)	9 400 (4 260)	29' 8" (9.04)
	-5' (-1.5)			*24 250 (*10 720)	*24 250 (*10 720)	*37 420 (*17 240)	23 990 (11 140)	27 780 (*12 910)	15 850 (7 350)	19 950 (9 250)	11 730 (5 430)			*15 660 (*7 070)	10 230 (4 630)	27' 10" (8.49)
	-10' (-3.0)			*38 920 (*17 160)	*38 920 (*17 160)	*32 980 (*15 240)	24 280 (11 270)	*25 000 (*11 600)	15 990 (7 410)	(*8 610)	(5 510)			*18 500 (*8 390)	12 050 (5 420)	24' 10" (7.60)
	-15' (-4.5)			*32 170 (*15 040)	*32 170 (*15 040)	*24 750 (*11 610)	*24 750 (11 580)	*17 440 (*8 420)	16 590 (7 660)					*17 290 (*7 890)	16 510 (7 330)	20' 1" (6.21)
Boom 20' 4" (6.20 m) Arm 12' 4" (3.76 m) Counterweight 19 136 lb (8 680 kg)	25' (7.5)									*12 080 (*5 740)	*12 080 (*5 740)			*8 530 (*3 850)	*8 530 (*3 850)	27' 2" (8.36)
	20' (6.0)							*15 380 (*7 040)	*15 380 (*7 040)	*14 530 (*6 730)	13 650 (6 340)	(*4 390)	(*4 390)	*8 280 (*3 750)	*8 280 (*3 750)	29' 11" (9.16)
	15' (4.5)					*22 730 (*10 860)	*22 730 (*10 860)	*19 850 (*9 160)	18 660 (8 650)	*17 490 (*8 070)	13 240 (6 140)	*12 320 (*6 010)	9 890 (4 600)	*8 340 (*3 780)	*8 340 (*3 780)	31' 7" (9.65)"
	10' (3.0)					*31 350 (*14 580)	26 930 (12 470)	*23 340 (*10 790)	17 640 (8 170)	*19 380 (*8 920)	12 710 (5 890)	*15 060 (*7 270)	9 630 (4 470)	*8 680 (*3 940)	8 520 (3 850)	32' 5" (9.88)
	5' (1.5)					*37 060 (*17 170)	25 070 (11 620)	*26 420 (*12 210)	16 700 (7 730)	20 480 (9 500)	12 200 (5 650)	15 620 (7 250)	9 360 (4 340)	*9 320 (*4 230)	8 350 (3 780)	32' 5" (9.87)
	0 (Ground)			*14 470 (*6 380)	*14 470 (*6 380)	*39 280 (*17 240)	24 110 (11 190)	28 030 (*13 030)	16 050 (7 440)	20 040 (9 300)	11 800 (5 470)	15 400 (7 140)	9 160 (4 240)	*10 410 (*4 720)	8 530 (3 870)	31' 7" (9.62)
	-5' (-1.5)	*15 830 (*7 100)	*15 830 (*7 100)	*22 770 (*10 080)	*22 770 (*10 080)	*38 550 (*17 780)	23 810 (11 060)	27 670 (*12 860)	15 740 (7 290)	19 810 (9 190)	11 600 (5 370)	(*6 530)	(4 210)	*12 240 (*5 530)	9 160 (4 150)	29' 10" (9.11)
	-10' (-3.0)	*24 400 (*10 900)	*24 400 (*10 900)	*33 570 (*14 830)	*33 570 (*14 830)	*35 300 (*16 310)	23 930 (11 110)	*26 430 (*12 230)	15 740 (7 290)	19 850 (9 200)	11 630 (5 380)			*15 670 (*7 040)	10 510 (4 740)	27' 1" (8.29)
	-15' (-4.5)			*39 500 (*18 400)	*39 500 (*18 400)	*28 900 (*13 470)	24 440 (11 340)	*21 490 (*10 090)	16 090 (7 440)					*17 410 (*7 910)	13 490 (6 020)	22' 10" (7.04)

EQUIPMENT

ZX345USLC-7H

●: Standard equipment ○: Optional equipment

ENGINE	ZX345USLC-7H
Aftertreatment device	●
Air cleaner double filters	●
Alternator 50 A	●
Auto idle system	●
Auto shut-down control	●
Cartridge-type engine oil filter	●
Cartridge-type fuel main filter	●
Cold fuel resistance valve	●
ConSite Oil (sensor)*	●
DEF / AdBlue® tank	●
DEF / AdBlue® tank inlet strainer and extension filler	●
Dry-type air filter with evacuator valve (with air filter restriction indicator)	●
Dust-proof indoor net	●
ECO / PWR / HP mode control	●
Electrical fuel feed pump	●
Engine oil drain coupler	●
Expansion tank	●
Fan guard	●
Fuel cooler	●
Fuel pre-filter with water separator	●
Isolation-mounted engine	●
Maintenance free pre-cleaner	○
Radiator, oil cooler and intercooler	●

HYDRAULIC SYSTEM	ZX345USLC-7H
Auto power lift	●
ConSite Oil (sensor)*	●
Control valve with main relief valve	●
High mesh full flow filter	●
Hose rupture valve for boom/arm and overload alarm	○
Pilot filter	●
Power boost	●
Restriction indicator for full flow filter	○
Suction filter	●
Swing dampener valve	●
Two extra ports for control valve	●
Variable relief valve for breaker and crusher	●
Work mode selector	●

CAB	ZX345USLC-7H
All-weather sound suppressed steel cab	●
Auto control air conditioner	●
AUX function lever (breaker)	●
AUX function lever (breaker assist)	○
Bluetooth® integrated radio	●
Console height adjustment	●
Control lever auto-lock	●
CRES VII (center pillar reinforced structure) cab	●
Drink holder with hot and cool function	●
Electric double horn	●
Engine shut-off switch	●
Equipped with reinforced, tinted (green color) glass windows	●
Evacuation hammer	●
Floor mat	●
Fluid-filled elastic mounts (4)	●
Foot rest	●
Front window washer (2 points)	●
Glove compartment	●
Hands-free calling device	●
Hot and cool box	●
Intermittent windshield wipers	●
Key cylinder light	●
LED room light	●
Magazine rack	●
OPG front guard Level II (ISO 10262: 1998) compliant	○
OPG top guard Level I (ISO 10262: 1998) compliant	●
OPG top guard Level II (ISO 10262: 1998) compliant	○
Pilot shut-off lever	●
Power outlet 12 V and 24 V	●
Push button low idle	●
Rain guard (without OPG front guard)	●
Rear tray	●
Retractable seat belt 3" (76 mm)	●
ROPS (ISO 12117-2: 2008) compliant cab	●
Rubber radio antenna	●
Seat: air suspension seat with heater	●
Seat adjustment part: backrest, armrest, height and angle, slide forward/back	●
Seat belt reminder	●
Short wrist control levers	●
Smartphone holder	●
Straight travel pedal	○
Stereo speakers (2)	●
Sunscreen roller type (multi-use front or side and rear window)	●
Transparent roof with slide curtain	●
USB power supply	●
Wide view wiper	●
Windows on front, upper, lower and left side can be opened	●
8" monitor	●

●: Standard equipment ○: Optional equipment

MONITOR SYSTEM	ZX345USLC-7H
Alarm buzzers: overheat, engine oil pressure, overload, SCR system trouble, etc	●
Alarms: overheat, engine warning, engine oil pressure, alternator, minimum fuel level, hydraulic filter restriction, air filter restriction, work mode, overload, SCR system trouble, etc	●
Display of meters: water temperature, hour, fuel rate, clock, DEF / AdBlue® rate, etc	●
Other displays: work mode, auto-idle, glow, rear view monitor, side view monitor, operating conditions, etc	●
35 languages selection	●

LIGHTS	ZX345USLC-7H
Additional boom LED light with cover	●
Additional cab roof front LED lights	●
LED lights for camera (side and rear view camera)	●
Rotating lamp	○
2 working LED lights	●

UPPER STRUCTURE	ZX345USLC-7H
AERIAL ANGLE (270° view camera system)	●
Batteries 2 x 128 Ah	●
Body top handrail	●
Control pattern changer (ISO / BH)	●
Counterweight 19,136 lb (8,680 kg)	●
Fuel level float	●
HD Undercover	○
Hydraulic oil level gauge	●
Lockable fuel refilling cap	●
Lockable machine covers	●
Lockable tool box	●
Platform handrail	●
Side view mirror (right and left)	●
Skid-resistant plates	●
Swing parking brake	●
Undercover	●
Utility space	●
2 way battery disconnect switch	●

MISCELLANEOUS	ZX345USLC-7H
ConSite	○
Exclusive Global e-Service telematics	●
Onboard information controller	●
Satellite communication device	○
Standard tool kit	●
Travel alarm	●

UNDERCARRIAGE	ZX345USLC-7H
Bolt-on sprocket	●
Greasing type track adjuster	●
Reinforced track links with pin seals	●
Shoe: 32" (800 mm) triple grouser	●
Tie down brackets (4)	●
Towing hole for light weight object	●
Track guards (3 each side)	●
Track undercover	○
Travel direction mark on track frame	●
Travel motor covers	●
Travel parking brake	●
Upper and lower rollers	●

FRONT ATTACHMENTS	ZX345USLC-7H
Arm 12' 4" (3.76 m)	●
Arm tip remote lubrication	●
Casted bucket link A	●
Centralized lubrication system	●
Dirt seal on all bucket pins	●
Flanged pin	●
HN bushing	●
Lower arm reinforcement	●
Reinforced resin thrust plate	●
WC (tungsten-carbide) thermal spraying	●

ATTACHMENTS	ZX345USLC-7H
Assist piping	○
Auxiliary hydraulic piping	●
Auxiliary hydraulic piping (straight-short piping)	○
Pilot accumulator	○
Two pump combined flow	○

Standard and optional equipment may vary by country, so please consult your Hitachi Construction Machinery Americas Authorized local dealer for details.
* Engine oil and hydraulic oil monitoring sensor.

Hitachi Construction Machinery Americas reserves the right to change specifications at any time without prior notification. © 2024 All Rights Reserved

HITACHI

Reliable Solutions



REPUTATIONS ARE **BUILT ON IT.**

A legacy built on quality products and service: this is our story. For more than 50 years, Hitachi Construction Machinery Americas has been the regional partner of Hitachi Construction Machinery Group, headquartered in Japan.

Well-respected in North America since the 1970s when Hitachi Construction Machinery Group led a prominent joint venture, Hitachi Construction Machinery Americas recently established a new facility in Newnan, GA. that is poised to support local customers for years to come.

With input from construction professionals on every continent, our machinery is manufactured at state-of-the-art facilities in Japan and exported for sale across the world.

Your local Hitachi Construction Machinery Americas dealer has the resources, expertise, and personnel to work with you, ensuring the best return on investment. Utilizing carefully designed programs and services in conjunction with extensive digital resources, Hitachi Construction Machinery Americas provides a focused approach to supporting you, your business, and the durable construction machinery that your operation relies upon.

Machines in this brochure may be representative of global products not sold in the North American market, and used for illustrative purposes only. Options may not be available in all markets. Before operating this machine (incl. satellite communication system) outside of its original country of sale, it may be necessary to make modifications to comply with local regulatory, safety, and legal requirements. Please do not export or operate this machine outside the country of its intended use until such compliance has been confirmed. Contact your dealer for more assistance with regional compliance.

