

# HITACHI

## CONSTRUCTION WHEEL LOADER

ZW310-7



Reliable Solutions



**Bucket Capacity** : 5.5 yd<sup>3</sup> – 6.1 yd<sup>3</sup> (4.2 m<sup>3</sup> – 4.7 m<sup>3</sup>)

**Engine Output** : 312 HP (233 kW)

**Operating Weight** : 54,190 lbs – 54,851 lbs (24,580 kg – 24,880 kg)

**Breakout Force** : 44,776 lbf (199 kN)

**Model Code** : ZW310-7

# ZW310



## A Legacy of Confidence

Known worldwide, Hitachi Construction Machinery has helped generations of builders, doers, and earth-movers accomplish their goals. Hitachi Construction Machinery Americas is the source for all U.S. and Latin American operations hoping to improve productivity and reduce costs — all while building our shared future.

## Pioneering Progress Together

From dedicated Rental and Used machines business to servicing, parts sales, and remote diagnostic support, Hitachi Construction Machinery Americas has the know-how and desire to establish productive working partnerships across the region. A network of independent, local dealers providing sales and service support are at the ready, waiting to begin work on the next phase of your legacy.



**Welcome** to

# Hitachi Construction



## Endless Ambition

All of our machines have been built at state-of-the-art Hitachi Construction Machinery production facilities in Japan, after incorporating the unique needs of our North American customers. Designed for the toughest terrains, harshest environments and most intricate projects, we believe there is no job that couldn't make use of our machine.

## Unwavering Dependability

Our dedication to reliability parallels our commitment for your comfort. Safety is non-negotiable; our machines adhere to the highest standards, ensuring your team's well-being. Count on Hitachi Construction Machinery Americas for peace of mind to ensure every team member returns home safely after a hard day's work.



# Machinery Americas

# Command with **QUALITY**

---

**H**itachi Construction Machinery Americas is proud to introduce ZAXIS-7, the next evolution of wheel loaders that proudly wear our name.

At job sites across the world, our partners depend on the latest Hitachi Construction Machinery Americas equipment for increased productivity, improved operator comfort, efficient maintenance needs and innovative safety features proven to keep workers safe.

This brochure is a guide for day-to-day operators as well as fleet owners of this equipment who are hoping to save time, money, to dream big — and build bigger.

Building on decades of quality engineering, Hitachi Construction Machinery Americas presents the ZAXIS-7 lineup, featuring the ZW310-7 wheel loader.







# TABLE OF CONTENTS

- 02** Who We Are
- 04** Introduction
- 06** Machine Highlights
- 08** Performance
- 10** Applications
- 12** Inside the Cab
- 14** Service & Maintenance
- 16** Safety
- 18** Specifications



# POWERFUL Leader

A productivity powerhouse made for bigger jobs, the ZW310-7 wheel loader is packed with premium features that stand up to daily use in quarries, demolition, and larger operations.

Integrated tools like Approach Speed Control, Auto Power Up, and Payload Checker help solve unique challenges faced by wheel loader operators while improving operator efficiency.

Backed up by the extensive Hitachi Construction Machine Americas network, explore how the ZW310-7 can reduce costs and boost your operations' results.

## Improved Design Concept

Accomplish a wide variety of jobs with a powerful platform proven to perform in varied worksites, then extend the machine's capability as-needed with a range of GET (Ground Engaging Tools) attachments.



## Intelligent Assists

Traction Control, Approach Speed Control, Auto Power Up function and a new Payload Checker improve productivity to new levels while reducing operator fatigue.

## Reliable & Powerful Engine

Proven Cummins engine with 1,206 lbf of torque, a 5-speed transmission, and robust limited-slip differentials with predictable servicing bring power and improved cost control to an operation.

## Increased Durability

Critical components are more protected from the environment, including the engine air filter and air conditioner. Standard intelligent, auto-reversing fan helps to prevent filter clogging.

## Quality Materials

From non-slip surfaces to durable cab materials, the ZW310-7 is ready for extended hours of work in diverse environments.







### First-Class Cab Comfort

Maximum cab space, visibility of controls, and operator line-of-sight; ROPS and FOPS certified construction.



### Service & Maintenance

The ZW310-7 is a workhorse with predictable service intervals, with the assistance of ConSite Air, and field-tested maintenance routines.



### Enhanced Productivity

Uptime is everything: lower fuel consumption and higher quality components mean less downtime and lower servicing costs.



**Bucket Capacity** : 5.5 yd<sup>3</sup> – 6.1 yd<sup>3</sup> (4.2 m<sup>3</sup> – 4.7 m<sup>3</sup>)

**Engine Output** : 312 HP (233 kW)

**Operating Weight** : 54,190 lbs – 54,851 lbs (24,580 kg – 24,880 kg)

**Breakout Force** : 44,776 lbf (199 kN)



# PRIME MOVER

Haul and load with the support of an overbuilt foundation, refined mechanicals, and modern operator assists. Proven 312 horsepower Cummins engine and powerful hydraulics give a Breakout Force of up to 44,776 (199 kN). Larger than before, the ZW310-7 wheel loader now offers a bigger static tipping load and excel in these key areas:

## Efficient Powertrain

Motivated by a modern, direct injection CUMMINS L9 engine, ZW310-7 has the torque to lift, move, haul, and dump materials with ease.



## Traction Control

Standard Traction Control maximizes breakout force while reducing tire slippage, useful for snow removal applications or in muddy / low grip conditions.

## Modern Operator Assists

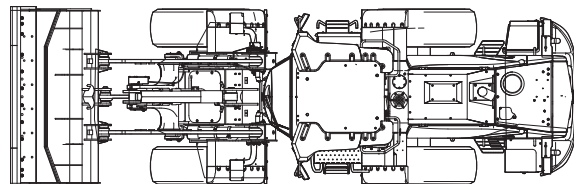
Approach Speed Control assigns a set speed for the wheel loader as it approaches a loading point. This allows for fewer pedal operations during loading, for reduced operator fatigue and lower fuel consumption.

## Auto Power Up Function

New Auto Power Up functionality increases hill climbing performance of the ZW310-7 by identifying slopes and increasing power output to prevent engine speed from dropping when travelling uphill.

## Full Operator Control

Designed to boost driver confidence, and therefore efficiency, redesigned cab controls place key functions within easy reach for more intuitive operation.







**MORE PERFORMANCE  
AND PRODUCTIVITY**  
for larger jobs

# VERSATILE Wheel Loader







“ It’s all about innovation and reliability. Designed to be efficient and durable, it really sets the bar for performance on any terrain. You can see that in every scoop—**quality and delivering results.** ”



Chris Trampush  
Hitachi Construction Machinery Americas  
Wheel Loader Product Manager





# Haul It **ALL**

Larger, stronger, and with power to spare, the ZW310-7 has what it takes to accelerate productivity where you need it most. Essential for a wide range of jobs, from residential & commercial construction to road & highway infrastructure improvements, and logging operations. Owners and operators alike are upgrading their results with help from these modern wheel loaders.











# CONFIDENT Controls

Built with all-day comfort in mind and packed with smart features like the standard Payload Checker, an advanced payload weighing system is key to an operator's confidence. An all-new low vibration cab with more space, more comfortable operator positioning, and seat-mounted controls. A standard 8" LCD display and standard Bluetooth connectivity (including hands-free calling) ensure connectivity at all times.

- 1 Seat-mounted electric control levers** help to reduce fatigue.
- 2 Multifunction single-lever or dual-lever type control lever\*** options to suit your preference.
- 3 Integrated console on air-ride seat** gives a greater sense of control.
- 4 USB charging tablet and smartphone holder** helps you stay connected.
- 5 Console mounted sub-monitor controls** provide fast access to main functions.
- 6 Ergonomically designed adjustable armrests** so you can work comfortably.
- 7 Convenient storage space** keeps your workspace tidy and clutter-free.
- 8 Heavy duty, heated air-ride seat** with horizontal suspension.
- 9 Removable cup holder** for easy cleaning.
- 10 E-Stick Steering System (optional)** provides exceptional control.
- 11 Sure-grip steering wheel** for confident control.
- 12 3.5" color LCD** in the front dashboard is easy to view.
- 13 Spacious ergonomic cab** makes for a more comfortable space.
- 14 Panel switch integrated functions** are user-friendly.
- 15 Remote adjustable heated mirrors (optional)** are easy to use.
- 16 High-resolution 8" monitor** with intuitive navigation controls.

\* Shown with optional multi-lever controls. Multifunction single-lever is standard on the ZW310-7.





# SERVICE That Sticks

Protect your investment with proactive support services. Hitachi Construction Machinery Americas distribution network is dedicated to ensuring your productivity with our support team and dealers. Ask about how ConSite Air technology further increases uptime.

**ConSite**  
Consolidated Solution for Construction Sites





# NO HASSLE Maintenance

From up-to-the-second remote management with ConSite to the leading Hitachi Construction Machinery Americas Certified Remanufactured Components program, maintenance support is second-to-none. Identify problems before they start and supercharge productivity with our behind-the-scenes data platform that allows for remote fleet diagnostic access.





# SAFETY Suite

Innovative, standard safety features are core to maintaining an incident-free jobsite. Standard rear view camera and displays, plus a class-leading design with optimal visibility. 270° AERIAL ANGLE camera system (optional) and rear object detection (optional) are essential features for tighter job sites, smaller work areas, and faster operator acclimatisation.

## Rear View Monitor

Standard rear view camera with anti-glare in-cab display gives operators a wide field of view behind the machine.

## Unmatched Visibility

See and be seen: redesigned cab, bright LED work lights, large reflective strips, and less interior clutter ensure operator line-of-sight in all conditions.

## AERIAL ANGLE Cameras

Optional peripheral vision camera system provides a wide 270-degree bird's-eye view of the machine's immediate environment.

## Emergency Steering Assist

An electric pump delivers oil pressure for power steering even in the case of an emergency, allowing for normal steering even if the engine fails.

## Rear Obstacle Detection System

Human-focused systems such as Approach Speed Control, Auto Power Up, and Payload Checker reduce operator strain, especially in challenging environments.





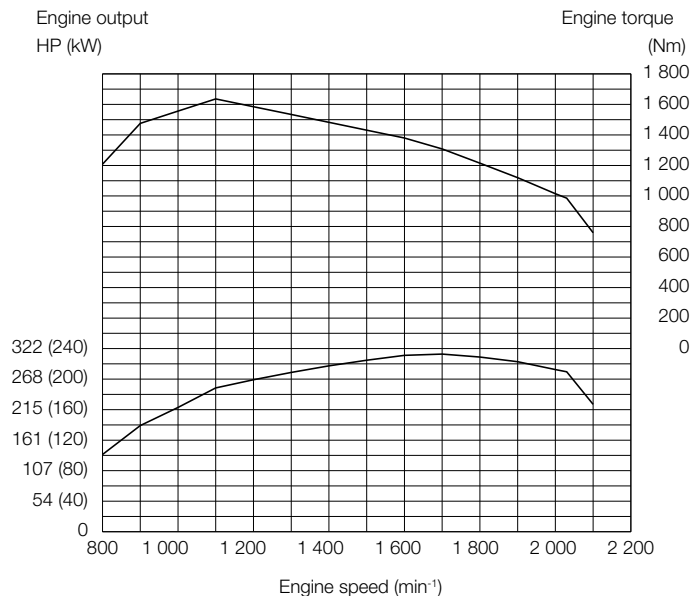




# SPECIFICATIONS

## ZW310-7

ENGINE	
Make & Model	CUMMINS L9 (Stage V)
Type	4 cycle water-cooled, direct injection
Aspiration	Waste-gate turbocharger and intercooled
Aftertreatment	DPF+SCR system
No. of cylinders	6
Maximum power	
ECE R120, gross	312 HP (233 kW) at 1 700 min <sup>-1</sup> (rpm)
ISO 9249 : 2007, net	303 HP (226 kW) at 1 700 min <sup>-1</sup> (rpm)
Rated power	
ISO 14396 : 2002, gross	286 HP (213 kW) at 2 000 min <sup>-1</sup> (rpm)
ISO 9249 : 2007, net	274 HP (204 kW) at 2 000 min <sup>-1</sup> (rpm)
Maximum torque, gross	1 636 Nm at 1,100 min <sup>-1</sup> (rpm)
Bore and stroke	5.4" x 5.7" (137 mm x 146 mm)
Piston displacement	543.1 cu.in (8.9 L)
Batteries	2 x 12 V
Air cleaner	Two element dry type with restriction indicator



POWER TRAIN			
Transmission	Torque converter, countershaft type powershift with computer-controlled automatic shift and manual shift features		
Torque converter	Three element, single stage, single phase with lock-up clutch		
Cooling method	Forced circulation type		
Travel speed* Forward / Reverse			
Operating Mode	Standard Mode	Power Mode	Power+ Mode
1st mph(km/h)	4.2 (6.7) / 3.7 (6.0)	4.2 (6.7) / 4.2 (6.7)	4.3 (6.9) / 4.3 (6.9)
2nd mph(km/h)	7.1 (11.4) / 6.4 (10.3)	7.1 (11.4) / 7.1 (11.4)	7.4 (11.9) / 7.4 (11.9)
w/LU Conv. ON	7.1 (11.5) / 6.5 (10.4)	7.1 (11.4) / 7.1 (11.5)	7.4 (11.9) / 7.4 (11.9)
3rd mph(km/h)	13.7 (22.1) / 13.7 (22.1)	13.7 (22.1) / 13.7 (22.1)	13.7 (22.1) / 13.7 (22.1)
w/LU Conv. ON	14.0 (22.5) / 14.0 (22.5)	14.0 (22.5) / 14.0 (22.5)	14.0 (22.5) / 14.0 (22.5)
4th mph(km/h)	22.4 (36.0) / 22.4 (36.0)	22.4 (36.0) / 22.4 (36.0)	22.4 (36.0) / 22.4 (36.0)

\*With 26.5 R25 (L3) tires

AXLE AND FINAL DRIVE	
Drive system	Four-wheel drive system
Front and rear axle	Semi-floating
Front	Fixed to the front frame
Rear	Trunnion support
Reduction and differential gear	Two stage reduction with torque proportional differential
Oscillation angle	Total 24° (+12°, -12°)
Final drives	Heavy-duty planetary, mounted inboard

TIRES	
Tire size	26.5R25 (L3)

BRAKES	
Service brakes	Inboard mounted fully hydraulic 4 wheel wet disc brake. Front & rear independent brake circuit
Parking brakes	Spring applied, hydraulically released, located in transmission.

STEERING SYSTEM	
Type	Articulated frame steering
Steering angle	Each direction 37° ; total 74°
Cylinders	Double-acting piston type
No. x Bore x Stroke	2 x 3.3" x 19.6" (2 x 85 mm x 498 mm)



HYDRAULIC SYSTEM	
<b>Arm and bucket are controlled by multifunction lever</b>	
Arm controls	Four position valve; Raise, hold, lower, float
<b>Bucket controls with automatic bucket return-to-dig control</b>	
Three position valve; Roll back, hold, dump	
<b>Main pump (Serve as steering pump)</b>	
Variable piston type	
Maximum flow	79.3 gal (300 L) /min at 2,000 min <sup>-1</sup> (rpm)
Maximum pressure	4,554 psi (31.4 MPa)
<b>Fan pump</b>	
Gear type	
Maximum flow	22.5 gal (85.0 L) /min at 2,000 min <sup>-1</sup> (rpm)
Maximum pressure	2 393 psi (16.5 MPa)
<b>Hydraulic cylinders</b>	
Type	Double acting type
No. x Bore x Stroke	Arm: 2 x 5.7" x 34.8" (2 x 145 mm x 884 mm)
	Bucket: 1 x 7.1" x 20.7" (1 x 180 mm x 525 mm)
Filters	Full-flow 15 micron return filter in reservoir
<b>Hydraulic cycle times</b>	
Lift arm raise	5.6 s (5.5 s)
Lift arm lower	4.1 s (4.1 s)
Bucket dump	1.2 s (1.2 s)
Total	10.9 s (10.8 s)

ENVIRONMENT	
<b>Engine Emissions</b>	
EPA Final Tier 4 / EU stage V	
<b>Sound level</b>	
Sound level in cabin according to ISO 6396: 2008	69 LpA dB(A)
External sound level according To ISO 6395: 2008 and EU Directive 2000/14/EC	108 LwA dB(A)

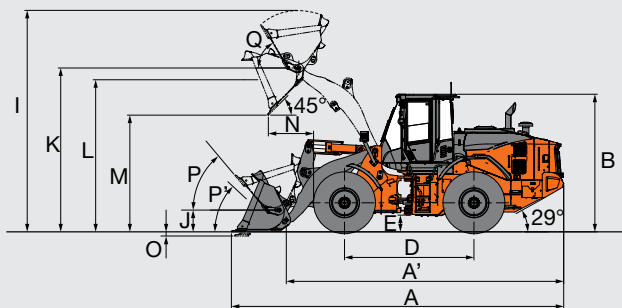
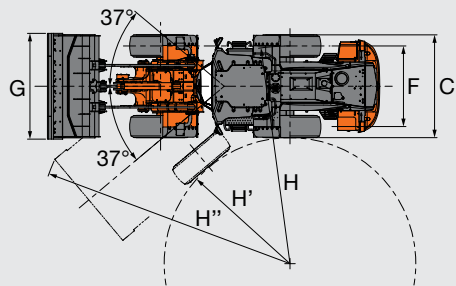
SERVICE REFILL CAPACITIES	
Fuel tank	100 gal (379 L)
Engine coolant	9.8 gal (37 L)
Engine oil (Including oil pan)	8.7 gal (33 L)
Torque converter & transmission	13 gal (51 L)
Front axle differential and wheel hubs	13 gal (48 L)
Rear axle differential and wheel hubs	13 gal (48 L)
Hydraulic oil tank	37 gal (139 L)
DEF/AdBlue® tank	13 gal (48 L)







# SPECIFICATIONS

ZW310-7

## DIMENSIONS AND SPECIFICATIONS ZW310-7



Bucket type		Standard arm				High-lift arm
		General purpose	Light material	Quick Coupler w/General purpose	Light material	
		Bolt-on cutting edge 	Bolt-on cutting edge 	Bolt-on cutting edge 	Bolt-on cutting edge 	
Bucket capacity	ISO 7546: 1983 Heaped	yd <sup>3</sup> (m <sup>3</sup> )	5.5 (4.2)	6.1 (4.7)	5.1 (3.9)	5.5 (4.2)
	ISO 7546: 1983 Struck	yd <sup>3</sup> (m <sup>3</sup> )	4.8 (3.7)	5.4 (4.1)	4.4 (3.4)	4.8 (3.7)
A Overall length		ft-in (mm)	29' 7" (9,020)	29' 11" (9,140)	30' 2" (9,220)	31' 0" (9,470)
A' Overall length, without bucket		ft-in (mm)	24' 5" (7,450)			25' 11" (7,900)
B Overall height, up to cab top		ft-in (mm)	11' 6" (3,530)			
C Width over tires, outside tire		ft-in (mm)	9' 7" (2,930)			
D Wheel base		ft-in (mm)	11' 7" (3,540)			
E Ground clearance, minimum		ft-in (mm)	1' 7" (500)			
F Tread		ft-in (mm)	7' 3" (2,230)			
G Bucket width		ft-in (mm)	10' 2" (3,100)			
H Turning radius, centerline of outside tire		ft-in (mm)	21' 0" (6,420)			
H' Turning radius to inside of tires		ft-in (mm)	12' 8" (3,870)			
H" Loader clearance radius, bucket in carry position		ft-in (mm)	24' 6" (7,485)	24' 7" (7,500)	24' 5" (7,725)	25' 1" (7,670)
I Overall operating height, bucket full raise		ft-in (mm)	19' 1" (6,050)	19' 9" (6,020)	20' 5" (6,240)	20' 8" (6,310)
J Carry height of bucket pin, at carry position		ft-in (mm)	1' 5" (435)			
K Height to bucket hinge pin, fully raised		ft-in (mm)	14' 6" (4,425)			15' 11" (4,860)
L Lift arm clearance at max lift		ft-in (mm)	12' 8" (3,870)			
M Dumping clearance 45°, full height		ft-in (mm)	10' 2" (3,100)	9' 1" (3,010)	9' 8" (2,970)	11' 7" (3,535)
N Reach, 45° dump, full height		ft-in (mm)	4' 3" (1,320)	4' 7" (1,410)	4' 10" (1,480)	4' 5" (1,370)
O Digging depth, horizontal digging angle		ft-in (mm)	0.4" (115)			
P Max. roll back at carry position		deg	45			
P' Max. roll back at ground level		deg	41			
Q Roll back angle at full height		deg	61			

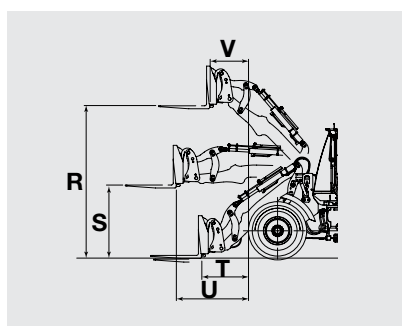


Bucket type		Standard arm			High-lift arm
		General purpose	Light material	Quick Coupler w/General purpose	Light material
		Bolt-on cutting edge	Bolt-on cutting edge	Bolt-on cutting edge	Bolt-on cutting edge
Static tipping load ISO 14397-1: 2007 (Section 1-5) *	Straight lb (kg)	40,675 (18,450)	39,375 (17,860)	38,228 (17,340)	33,841 (15,350)
	Full turn lb (kg)	35,384 (16,050)	34,238 (15,530)	33,246 (15,080)	29,432 (13,350)
Breakout force	kN	199	186	164	199
	lbf (kgf)	44,776 (20,310)	41,844 (18,980)	36,927 (16,750)	44,776 (20,310)
Operating weight * (With ROPS / FOPS Cab)	lb (kg)	54,190 (24,580)	54,829 (24,870)	55,336 (25,100)	54,851 (24,880)
Articulate angle	deg	37			
Departure angle	deg	30			

Note: All dimensions, weight and performance data based on ISO 6746-1 : 1987, ISO 7137 : 2009 and ISO 7546 : 1983

\* Static tipping load and operating weight marked with\* include 20.5R25 (L3) tires (No ballast) with lubricants, full fuel tank and operator.  
Machine stability and operating weight depend on counterweight, tire size and other attachments.

### WITH QUICK COUPLER AND FORK ATTACHMENT

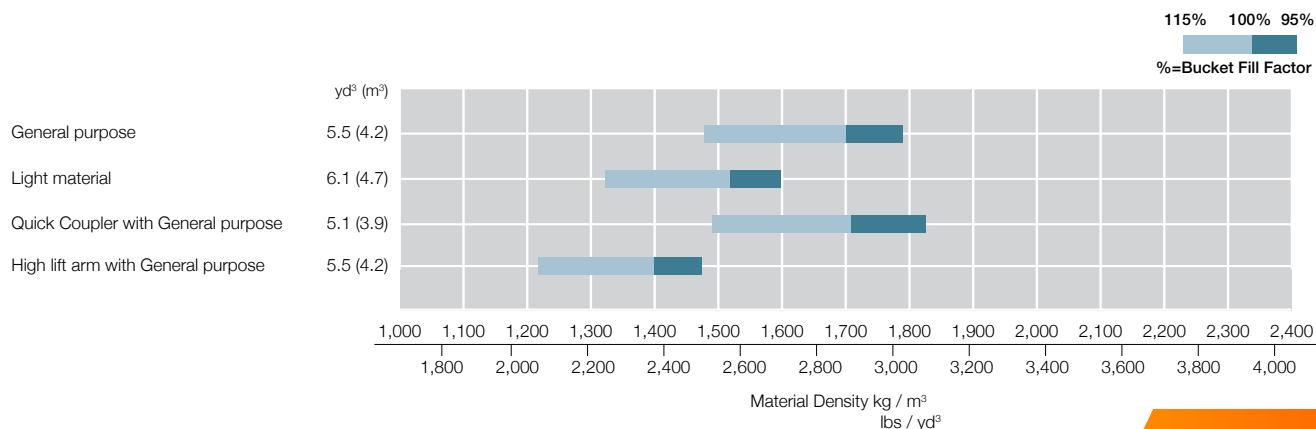


R	Max. stacking height	ft-in (mm)	13' 11" (4,260)
S	Height of fork at maximum reach	ft-in (mm)	6' 11" (2,110)
T	Reach at ground level	ft-in (mm)	4' 1" (1,270)
U	Max. reach	ft-in (mm)	6' 7" (2,020)
V	Reach at max. stacking height	ft-in (mm)	3' 8" (1,130)
Static tipping load	Straight	lb (kg)	23,410 (10,619)
	Full 40° turn	lb (kg)	20,414 (9,260)
Max. payload per EN 474-3, 80%		lb (kg)	16,331 (7,408)
Max. payload per EN 474-3, 60%		lb (kg)	12,248 (5,556)
Fork tine length		in (mm)	72 (1,828)
Operating weight *		lb (kg)	54,078 (24,530)

### WEIGHT CHANGE

Option item	Operating weight lb (kg)	Tipping load lb (kg)		Overall width in (mm) (outside tire)	Overall height in (mm)	Overall length in (mm)
		Straight	Full turn			
Belly guard	+595 (+270)	+419 (+190)	+353 (+160)	±0	±0	±0

### BUCKET SELECTION GUIDE





# EQUIPMENT

## ZW310-7

● : Standard equipment ○ : Optional equipment

ENGINE	ZW310-7
Aftertreatment device	●
Aftertreatment manual regeneration inhibit switch	●
Aftertreatment manual regeneration switch	●
Air filter double elements	●
Air intake	
Pre-cleaner (sy-clone type)	●
Anti-clogging radiator (Wide fin pitch radiator)	●
Automatic reversible cooling fan with heat sensing	●
Cartridge-type engine oil filter	●
Cartridge-type fuel main filter	●
Cartridge-type fuel pre-filter	●
Coolant reservoir sight gauge	●
DEF/AdBlue® tank extension filler	●
DEF/AdBlue® tank with ISO magnet adapter	●
Engine auto shut-down control system	●
Engine oil remote drain	●
Fan guard	●

BRAKE SYSTEM	ZW310-7
Front and rear independent brake circuit	●
Inboard mounted fully hydraulic 4 wheel wet disc	●
Spring-applied/Hydraulic-released parking brake	●

HYDRAULIC SYSTEM	ZW310-7
Bucket auto leveler (automatic return to dig control)	●
Electric control lever for 3 spools control valve	
Multi-function lever and AUX lever for 3rd function	○
2 levers and AUX lever for 3rd function - Inside layout pattern (3rd - bucket - liftarm)	●
Control lever lock switch	●
Dual lift arm auto leveler	●
Hydraulic filters	●
Lift arm float system	●
Reservoir sight gauge	●
Ride control system (OFF-AUTO type)	●
Work mode selector	●

CAB	ZW310-7
Adjustable steering column with POP-UP	●
Auto control air conditioner	
with double intake filter	●
Pre-cleaner for air conditioner	○
Bluetooth® integrated FM/AM+radio , hands-free calling	●
Camera and monitor	
AERIAL ANGLE (Side and rear view camera)	○
Rear view camera and monitor	●
Coat hook	●
Evacuation hammer	●
Front/Rear defroster	●
Glove compartment	●
LED room light	●
Payload checker with tip-off function	●
Rear obstacle detection system	○
Rear view mirrors	
Rear view mirrors	●
Outside heated (2) electrical adjustment retractable mirror stay	○
Retractable seat belt, 3.0 in (76 mm)	●
ROPS (ISO 3471 : 2008), FOPS (ISO 3449 : 2008 LEVEL II): multi-plane isolation mounted for noise	●
Rubber floor mat	●
Seat	
Heavy duty air suspension seat equipped with horizontal suspension headrest and heater: fabric, high back, adjustable for damper, inclination of the seat, seat depth, weight-height, fore-aft position, reclining angle, armrest angle, headrest height and angle, lumbar support	●
Seat belt reminder	●
Steering system	
Joystick steering, with wheel steering	●
Wheel steering	●
Stereo Speakers (2)	●
Storage	
Cup holder	●
Document holder	●
Hot and cool box	●
Seatback pocket	●
Smartphone and Tablet device holder	●
Sun shade film on front windshield	○
Sunscreen roller type	●
Tinted safety glass	
Front windshield: laminated	●
Others: tempered	●
USB power supply	●
Windshield washer front and rear	●
8" sub monitor	●



● : Standard equipment ○ : Optional equipment

MONITORING SYSTEM	ZW310-7
Gauge: coolant temperature, fuel level, transmission oil temperature	●
Indicator lights : clearance lights, control lever lock, fuel level, high beam, parking brake, preheat, turn signals, work lights, fan reverse indicator, seat belt indicator Indicator on multifunction monitor: F-N-R shift position, gear shift position, clock, DEF alarm indicator, DEF level gauge, ECO indicator, forward/reverse selector switch indicator, hold display, hour meter, joystick steering indicator (optional), odometer, battery volt, speedometer, tachometer, transmission autoshifting indicator, Warning lights: air filter restriction, brake oil low pressure, communication system error, discharge warning, engine oil low pressure, engine warning, hydraulic oil level, low steering oil pressure, overheat, transmission warning	●
Indicator on sub monitor : payload checker, dual auto-leveler indicator rear obstacle detection and warning system (optional) 38 languages selection	●

ELECTRICAL SYSTEM	ZW310-7
Alternator (95 A)	●
Backup alarm	●
Battery disconnect switch	●
Large capacity batteries	●
Power outlet 12V and 24V	●

LIGHTS	ZW310-7
Clearance lights	●
LED brake and tail lights	●
LED headlights	●
Turn signals with hazard switch	●
Work lights	
Front (4), rear (2 on cab) and rear LED working lights (2)	●

POWER TRAIN	ZW310-7
Approach speed control	●
Automatic transmission with load sensing system	●
Clutch cut position switch	●
Differential	
LSD (limited slip differential, front and rear)	●
DSS (Down Shift Switch)	●
Forward/Reverse lever	●
Forward/Reverse selector switch	●
Lock-up clutch, torque converter	●
Power mode switch	●
Quick power switch	●
Travel mode selector (Auto1-Auto2)	●

TIRES	ZW310-7
26.5R25(L3) Bridgestone (VJT)	●

MISCELLANEOUS	ZW310-7
Articulation lock bar	●
Belly guard (bolt on type) (front/rear)	○
Bucket cylinder guard	○
Cab top rail	
Front rail on the cab top	●
Rear rail on the cab top	●
Cab window cleaning foot plate	●
Counterweight, built-in	●
Drawbar with locking plate	●
Emergency steering	●
Fenders	
for 26.5R25 (Front and full covered rear fenders with mud flaps)	●
Front windshield guard	○
Exclusive Global e-Service telematics	●
Lift arm	
High lift arm	○
Standard lift arm	●
Lift & tie down hooks	●
On board information controller	●
Pilfer proof	
Battery cover with locking bracket	○
Lockable engine cover	●
Lockable fuel refilling cap	●
Standard tool kit	●
Tool box	●







# HITACHI

## Reliable Solutions



## REPUTATIONS ARE **BUILT ON IT.**

A legacy built on quality products and service: this is our story. For more than 50 years, Hitachi Construction Machinery Americas has been the regional partner of Hitachi Construction Machinery Group, headquartered in Japan.

Well-respected in North America since the 1970s when Hitachi Construction Machinery Group led a prominent joint venture, Hitachi Construction Machinery Americas recently established a new facility in Newnan, GA. that is poised to support local customers for years to come.

With input from construction professionals on every continent, our machinery is manufactured at state-of-the-art facilities in Japan and exported for sale across the world.

Your local Hitachi Construction Machinery Americas dealer has the resources, expertise, and personnel to work with you, ensuring the best return on investment. Utilizing carefully designed programs and services in conjunction with extensive digital resources, Hitachi Construction Machinery Americas provides a focused approach to supporting you, your business, and the durable construction machinery that your operation relies upon.

Machines in this brochure may be representative of global products not sold in the North American market, and used for illustrative purposes only. Options may not be available in all markets. Before operating this machine (incl. satellite communication system) outside of its original country of sale, it may be necessary to make modifications to comply with local regulatory, safety, and legal requirements. Please do not export or operate this machine outside the country of its intended use until such compliance has been confirmed. Contact your dealer for more assistance with regional compliance.

