

## ENGINE

Model	FPT NEF6
Emissions Certification	Tier 4 Final/Stage V
Fuel	Requires ultra-low sulfur fuel B5 biodiesel tolerant
Type	Water-cooled, 4-cycle diesel, high pressure common rail system – electric control, Fixed geometry turbocharger w/ air cooled intercooler, ATS, EGR-free
Cylinders	6-cylinder in line
Piston displacement	411 in <sup>3</sup> (6.728 L)
Bore/Stroke	4.09 x 5.20 in (104 x 132 mm)
Fuel injection	High pressure common rail system – electronic
Fuel filter	Replaceable, full flow spin-on cartridge
Air filter	Dry type dual element w/ warning restriction indicator
Oil filter	Replaceable, full flow spin-on cartridge
Engine gradeability:	
Side-to-side	35°
Fore and aft	35°
Rated flywheel horse power – SAE J1349 @ 2000 RPM:	
ISO 9249	179 hp (133.4 kW)
ISO 14396	185 hp (138 kW)
Net max. torque – SAE J1349 @ 1800 RPM:	
ISO 9249	474 lbf-ft (642 N·m)
ISO 14396	486 lbf-ft (659 N·m)
Cooling operating range:	
	113° to -4°F (45° to -20°C)
Oil	Requires low-ash oil CJ-4

## DRIVETRAIN

Travel control	Dual stage relief/ counter balance design
Brakes	Mechanical disc
Two speed travel:	
Max. high speed	3.4 mph (5.5 km/h)
Max. low speed	2.2 mph (3.5 km/h)
Automatic downshift	
Drawbar pull	45,000 lbf (200 kN)
Gradeability	70% – 35° Slope

## ELECTRICAL

Voltage	24 Volts
Alternator rating	90 amp
Batteries	2 x 12 Volt
Battery reserve capacity	92 Ah/5 hour
Work lights – 4 1 boom, 1 upper, 2 cab	24 Volt/70 watt
Starter	24 V (4.0 kW)

## OPERATOR ENVIRONMENT

Air conditioner output	18,100 BTU/hr
Heater output	20,150 BTU/hr
Sound level inside cab – ISO6395	70 dBA
Electrical outlet	12 Volt
Cab interior light	10 watt
Rear and side view cameras	

### Operator's Cab:

Smooth and round shape design cab; Safety glass for all windows; Shock-less cab suspension by 4-point fluid mounting; Sliding front window w/ auto lock; 10" Full-color LCD monitor display; Membrane switch on monitor display; Switch panel (including throttle dial w/ eco-mode switch); Windshield wiper & washer; AM/FM/Bluetooth Radio w/ hands-free phone; Sectioned floor mat; Polycarbonate roof hatch & Sun shade; Auto air conditioner; Roll-over protective structure (ROPS); Top guard OPG level 1 (in cab structure).

### Seat:

Low frequency air suspension w/ air springs and double acting hydraulic damper; Manual weight adjustment; Backrest angle adjustment; Seat height adjustment; Adjustable armrest (Angle and height); Adjustable headrest; Retractable seat belt; Adjustable lumbar support; Console mount on suspension; Control consoles adjust independently of seat.

## ATTACHMENT

Boom	19 ft 2 in (5.85 mm)
Arm options:	
Standard	9 ft 10 in (3.00 m)
Short	8 ft 2 in (2.50 m)
Long	11 ft 6 in (3.52 m)
Bucket digging force* w/ Auto Power-Boost	36,420 lbf (162 kN) 39,570 lbf (176 kN)

NOTE: \*Digging force ratings based on ISO6015.

## OPERATING WEIGHT

Operating weight	56,900 lb (25 800 kg)
w/ shoes	2 ft 7 in (800 mm)
w/ boom	19 ft 2 in (5.85 m)
w/ arm	9 ft 10 in (3.00 m)
w/ bucket	1,786 lb (810 kg)
w/ counterweight	11,100 lb (5 050 kg)

NOTE: W/ operator/full fuel/standard equipment.

## GROUND PRESSURE

@ Standard operating weight 5.5 psi (0.38 bar)  
w/ 31.5 in (800 mm) triple semi-grouser shoes

## HYDRAULICS

System design	Open center
Main pumps	Two-variable displacement/ axial piston
Max. rated flow x 2	61.8 gpm (234 L/min) @ 2,000 RPM
System pressures:	
Boom, arm and bucket w/ Power Boost	4,970 psi (343 kgf/cm <sup>2</sup> ) 5,410 psi (373 kgf/cm <sup>2</sup> )
Travel circuits	4,970 psi (343 kgf/cm <sup>2</sup> )
Swing circuits	4,190 psi (289 kgf/cm <sup>2</sup> )
Pilot pump	1 x gear design
Max. capacity	5.3 gpm (20 L/min)
Pilot system working pressure:	570 psi (39 bar, 40 kgf/cm <sup>2</sup> )
Control valve w/ boom/arm holding valve:	
Right track travel, bucket, boom and arm acceleration.	1 x Four-spool section
Left track travel, auxiliary, swing, boom and arm acceleration.	1 x Five-spool section
Work mode selections	SP – Mode Power – Mode Eco – Mode Lift – Mode

Swing motor	Fixed displacement axial piston
Swing final drive	Planetary gear reduction
Travel motor	Two-speed independent travel/axial piston
Swing brake	Mechanical disc brake
Turn table bearing	Ball bearing type w/ internal gear
Maximum swing speed	10.6 rpm
Swing torque	55,300 lbf·ft (74,900 N·m)

## HYDRAULIC CYLINDERS

Boom cylinders	Two (2)
Cylinder bore	5.1 in (130 mm)
Cylinder rod diameter	3.5 in (90 mm)
Cylinder stroke	52.6 in (1 335 mm)
Arm cylinder	One (1)
Cylinder bore	5.7 in (145 mm)
Cylinder rod diameter	4.1 in (105 mm)
Cylinder stroke	65.4 in (1 660 mm)
Bucket cylinder	One (1)
Cylinder bore	5.1 in (130 mm)
Cylinder rod diameter	3.5 in (90 mm)
Cylinder stroke	42.1 in (1 070 mm)

## SERVICE CAPACITIES

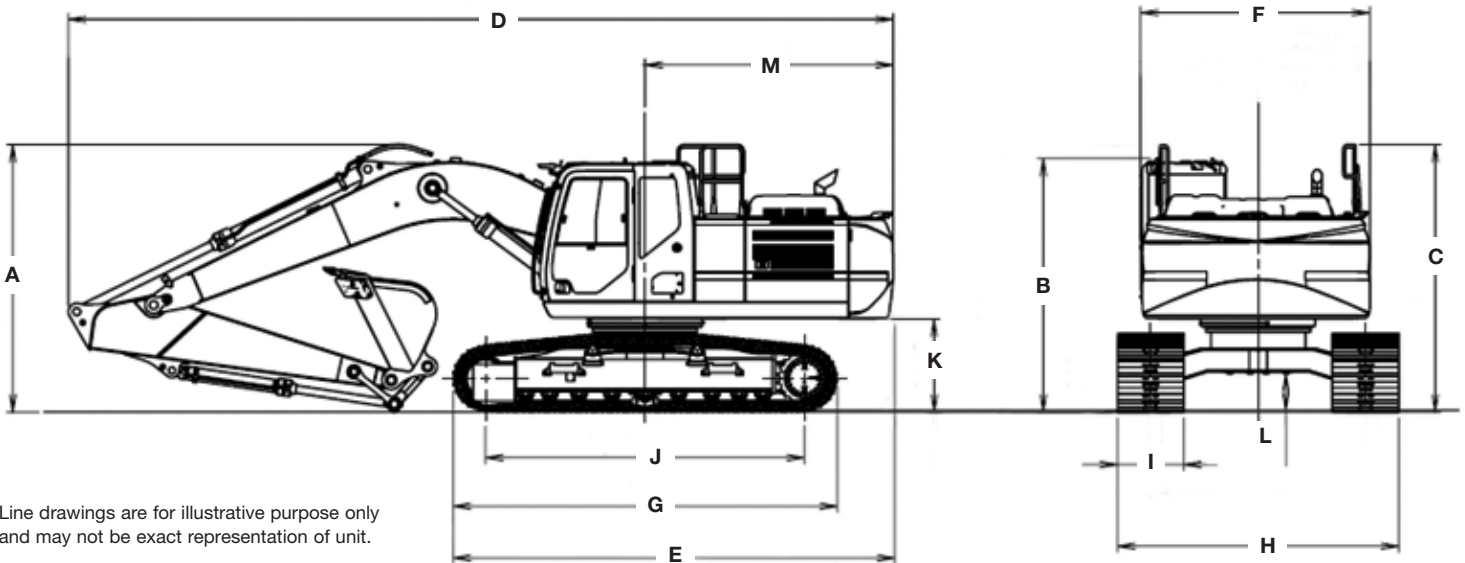
Fuel tank	108 gal (410 L)
Hydraulic system	77.0 gal (290 L)
Hydraulic tank	43 gal (162 L)
Engine oil w/ filter	3.9 gal (14.6 L)
Swing drive	2.5 gal (9.6 L)
Final drive	1.3 gal (5 L)
DEF Tank	22 gal (84 L)

## COOLING SYSTEM

Fan	f 25.6 in (650 mm) with 9-blades
Radiator capacity	66,640 kcal/h (77.5 kW)
Fin type	Corrugated fin (wavy type)
Fin space	0.07 in (1.75 mm)
Long life coolant	Coolant 55%, Water 45%
Oil cooler capacity	49,010 kcal/h (57.0 kW)
Fin type	Corrugated fin (wavy type)
Fin space	0.07 in (1.75 mm)
Intercooler capacity	15,910 kcal/h (18.5 kW)
Fin type	Corrugated fin (wavy type)
Fin space	0.07 in (1.75 mm)
Fuel cooler capacity	1,110 kcal/h (1.3 kW)
Fin type	Corrugated fin (wavy type)
Fin space	0.8 in (2.0 mm)
Filters:	
Suction filter	105 microns
Return filter	6 microns
Pilot line filter	8 microns

## OTHER SPECIFICATIONS

Swing speed	10.6 RPM
Swing torque	55,300 lbf-ft (74.9 kN-m)
Swing brake	Mechanical disc
Undercarriage:	
Length	15 ft 3 in (4 650 mm)
Track gauge	8 ft 6 in (2 590 mm)
Carrier rollers	2
Track rollers	9
Shoes – triple grouser	51
Shoe width – std.	2 ft 7 in (800 mm)
Link pitch	7.5 in (190 mm)
Track:	
Chain	Grease lubricated/strutted
Guides	Single
Adjustment	Hydraulic

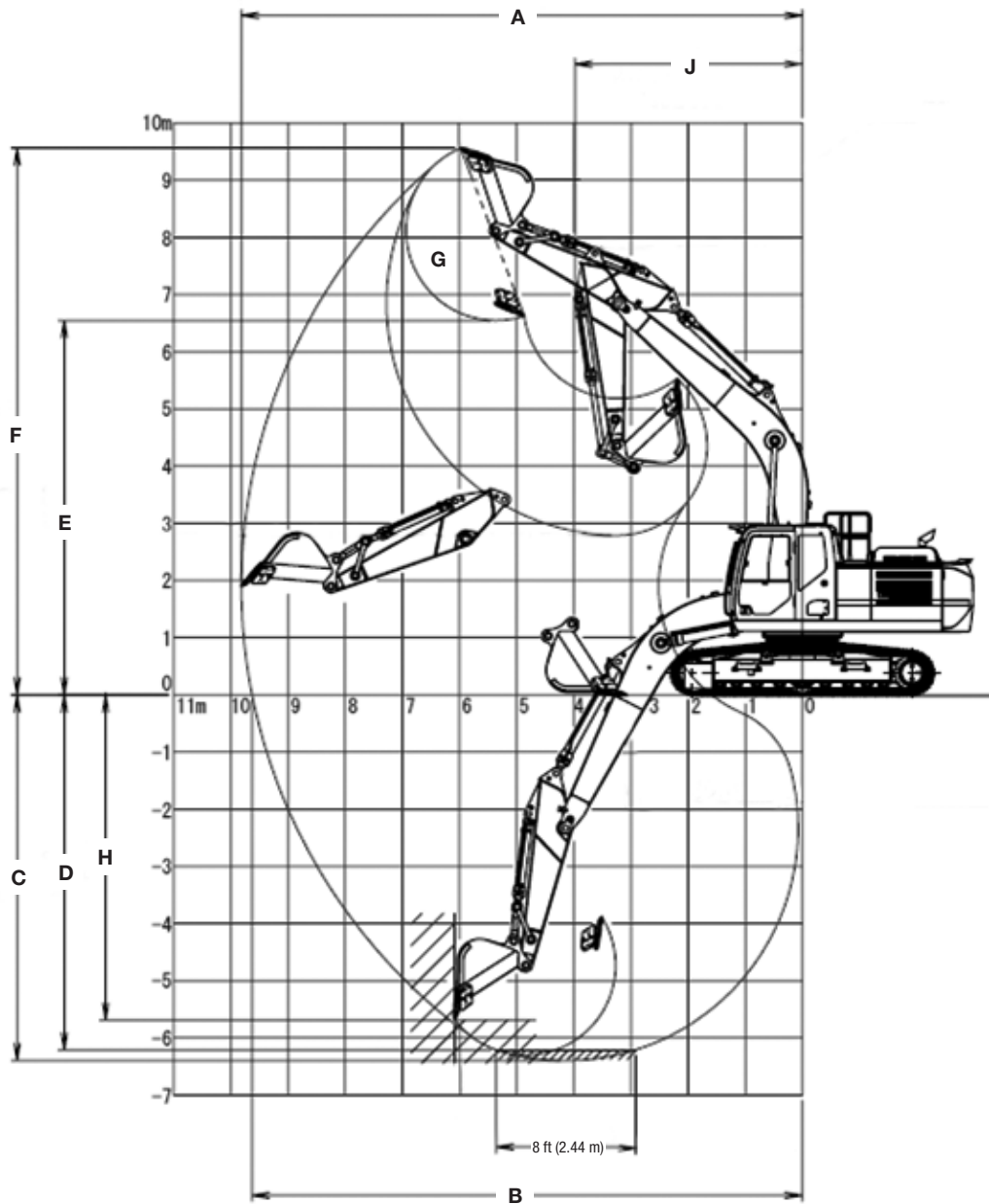


Line drawings are for illustrative purpose only and may not be exact representation of unit.

## DIMENSIONS

	9 ft 10 in (3.0 m) Arm	8 ft 2 in (2.5 m) Arm	11 ft 6 in (3.52 m) Arm
<b>A.</b> Overall height – with attachment	10 ft 6 in (3 210 mm)	11 ft 1 in (3 380 mm)	11 ft 1 in (3 380 mm)
<b>B.</b> Cab height	10 ft 0 in (3 050 mm)	10 ft 0 in (3 050 mm)	10 ft 0 in (3 050 mm)
<b>C.</b> Overall height to top of guardrail	10 ft 7 in (3 220 mm)	10 ft 7 in (3 220 mm)	10 ft 7 in (3 220 mm)
<b>D.</b> Overall length – with attachment	32 ft 7 in (9 930 mm)	32 ft 9 in (10 000 mm)	32 ft 8 in (9 960 mm)
<b>E.</b> Overall length – without attachment	17 ft 5 in (5 320 mm)	17 ft 5 in (5 320 mm)	17 ft 5 in (5 320 mm)
<b>F.</b> Width of upper structure	9 ft 1 in (2 760 mm)	9 ft 1 in (2 760 mm)	9 ft 1 in (2 760 mm)
<b>G.</b> Track overall length	15 ft 3 in (4 650 mm)	15 ft 3 in (4 650 mm)	15 ft 3 in (4 650 mm)
<b>H.</b> Track overall width with 31.5 in (800 mm) shoes	11 ft 1 in (3 390 mm)	11 ft 1 in (3 390 mm)	11 ft 1 in (3 390 mm)
<b>I.</b> Track shoe width	2 ft 7 in (800 mm)	2 ft 7 in (800 mm)	2 ft 7 in (800 mm)
<b>J.</b> Center to center – idler to sprocket	12 ft 7 in (3 840 mm)	12 ft 7 in (3 840 mm)	12 ft 7 in (3 840 mm)
<b>K.</b> Upper structure ground clearance	3 ft 8 in (1 110 mm)	3 ft 8 in (1 110 mm)	3 ft 8 in (1 110 mm)
<b>L.</b> Minimum ground clearance	1 ft 5 in (440 mm)	1 ft 5 in (440 mm)	1 ft 5 in (440 mm)
<b>M.</b> Rear tail swing radius	9 ft 9 in (2 990 mm)	9 ft 9 in (2 990 mm)	9 ft 9 in (2 990 mm)
Operating weight*	56,909 lb (25 814 kg)	56,358 lb (25 564 kg)	57,240 lb (25 964 kg)
Ground pressure	5.5 psi (0.38 bar)	5.5 psi (0.38 bar)	5.5 psi (0.38 bar)
Track gauge	8 ft 6 in (2 590 mm)	8 ft 6 in (2 590 mm)	8 ft 6 in (2 590 mm)
Crawler tracks height	3 ft 1 in (940 mm)	3 ft 1 in (940 mm)	3 ft 1 in (940 mm)

NOTE: \*With 19 ft 2 in (5.85 m) boom, 31.5 in (800 mm) track shoe, 1,786 lb (810 kg) bucket, 165 lb (75 kg) operator, full fuel and standard equipment.



### PERFORMANCE SPECS

	9 ft 10 in (3.0 m) Arm	8 ft 2 in (2.5 m) Arm	11 ft 6 in (3.52 m) Arm
<b>A.</b> Maximum dig radius	33 ft 9 in (10 280 mm)	32 ft 3 in (9 820 mm)	35 ft 5 in (10 790 mm)
<b>B.</b> Dig radius at groundline	33 ft 2 in (10 100 mm)	31 ft 7 in (9 630 mm)	34 ft 10 in (10 620 mm)
<b>C.</b> Maximum dig depth	22 ft 8 in (6 900 mm)	21 ft 0 in (6 400 mm)	24 ft 4 in (7 420 mm)
<b>D.</b> Dig depth – 8 ft 0 in (2.44 m) level bottom	22 ft 1 in (6 740 mm)	20 ft 4 in (6 210 mm)	23 ft 10 in (7 270 mm)
<b>E.</b> Dump height	22 ft 2 in (6 760 mm)	21 ft 6 in (6 550 mm)	23 ft 2 in (7 060 mm)
<b>F.</b> Maximum reach height	28 ft 7 in (8 712 mm)	27 ft 1 in (8 260 mm)	30 ft 3 in (9 210 mm)
<b>G.</b> Bucket rotation	175°	175°	175°
<b>H.</b> Maximum vertical wall dig depth	20 ft 2 in (6 140 mm)	18 ft 8 in (5 700 mm)	21 ft 11 in (6 680 mm)
<b>J.</b> Minimum swing radius	13 ft 3 in (4 030 mm)	13 ft 1 in (3 980 mm)	13 ft 3 in (4 050 mm)
Arm digging force:			
Standard	26,977 lbf (120 kN)	31,698 lbf (141 kN)	24,055 lbf (107 kN)
Power Boost	29,225 lbf (130 kN)	34,396 lbf (153 kN)	26,078 lbf (116 kN)
Bucket digging force:			
Standard	36,419 lbf (162 kN)	36,419 lbf (162 kN)	36,419 lbf (162 kN)
Power Boost	39,566 lbf (176 kN)	39,566 lbf (176 kN)	39,566 lbf (176 kN)
Boom length	19 ft 2 in (5 850 mm)	19 ft 2 in (5 850 mm)	19 ft 2 in (5 850 mm)
Bucket radius	5 ft 2 in (1 570 mm)	5 ft 2 in (1 570 mm)	5 ft 2 in (1 570 mm)

**LIFT CAPACITIES**

**9 ft 10 in (3.0 m) Arm** Lift capacities calculated using a 1,786 lb (810 kg) bucket, 11,508 lb (5 220 kg) counterweight.

Load (Lift Point Height)	MINIMUM REACH			0 ft (0 m)		5 ft (1.5 m)		10 ft (3 m)		15 ft (4.5 m)		20 ft (6 m)		25 ft (7.5 m)		MAXIMUM REACH		
	@	END	SIDE	END	SIDE	END	SIDE	END	SIDE	END	SIDE	END	SIDE	END	SIDE	@	END	SIDE
<b>+25 ft (7.5 m)</b>	18 ft 8 in (5.69 m)	11,250 lb* (5 103 kg)*	11,250 lb* (5 103 kg)*									9,150 lb* (4 150 kg)*	9,150 lb* (4 150 kg)*			20 ft 1 in (6.13 m)	8,950 lb* (4 060 kg)*	8,950 lb* (4 060 kg)*
<b>+20 ft (6 m)</b>	18 ft 9 in (5.72 m)	11,150 lb* (5 058 kg)*	11,150 lb* (5 058 kg)*									11,150 lb* (5 058 kg)*	11,150 lb* (5 058 kg)*			23 ft 10 in (7.26 m)	8,300 lb* (3 765 kg)*	8,300 lb* (3 765 kg)*
<b>+15 ft (4.5 m)</b>	15 ft 8 in (4.77 m)	13,450 lb* (6 101 kg)*	13,450 lb* (6 101 kg)*									12,250 lb* (5 557 kg)*	12,250 lb* (5 557 kg)*	11,650 lb* (5 284 kg)*	8,900 lb (4 037 kg)	26 ft 2 in (8 m)	8,100 lb* (3 674 kg)*	8,100 lb* (3 674 kg)*
<b>+10 ft (3 m)</b>	10 ft 0 in (3 m)	27,950 lb* (12 678 kg)*	27,950 lb* (12 678 kg)*					28,300 lb* (12 837 kg)*	28,300 lb* (12 837 kg)*	17,750 lb* (8 051 kg)*	17,750 lb* (8 051 kg)*	14,050 lb* (6 373 kg)*	12,000 lb (5 443 kg)	12,400 lb* (5 625 kg)*	8,650 lb (3 924 kg)	27 ft 5 in (8.36 m)	8,300 lb* (3 765 kg)*	7,500 lb (3 402 kg)
<b>+5 ft (1.5 m)</b>	10 ft 9 in (3.28 m)	14,150 lb* (6 418 kg)*	14,150 lb* (6 418 kg)*							21,600 lb* (9 798 kg)*	17,150 lb (7 780 kg)	16,000 lb* (7 257 kg)*	11,500 lb (5 216 kg)	12,450 lb (5 647 kg)	8,400 lb (3 810 kg)	27 ft 9 in (8.46 m)	8,800 lb* (3 992 kg)*	7,250 lb (3 289 kg)
<b>Groundline</b>	8 ft 11 in (2.72 m)	11,100 lb* (5 035 kg)*	11,100 lb* (5 035 kg)*					15,150 lb* (6 872 kg)*	15,150 lb* (6 872 kg)*	23,800 lb* (10 795 kg)*	16,550 lb (7 507 kg)	16,900 lb (7 666 kg)	11,100 lb (5 035 kg)	12,200 lb (5 534 kg)	8,250 lb (3 742 kg)	27 ft 1 in (8.26 m)	9,750 lb* (4 423 kg)*	7,400 lb (3 357 kg)
<b>-5 ft (-1.5 m)</b>	4 ft 1 in (1.25 m)	14,900 lb* (6 759 kg)*	14,900 lb* (6 759 kg)*			15,450 lb* (7 008 kg)*	15,450 lb* (7 008 kg)*	25,550 lb* (11 589 kg)*	25,550 lb* (11 589 kg)*	24,150 lb* (10 954 kg)*	16,350 lb (7 416 kg)	16,700 lb (7 575 kg)	10,950 lb (4 967 kg)	12,150 lb (5 511 kg)	8,200 lb (3 719 kg)	25 ft 5 in (7.75 m)	11,550 lb* (5 239 kg)*	8,000 lb (3 629 kg)
<b>-10 ft (-3 m)</b>	4 ft 1 in (1.25 m)	25,500 lb* (11 567 kg)*	25,500 lb* (11 567 kg)*			26,550 lb* (12 043 kg)*	26,550 lb* (12 043 kg)*	32,300 lb* (14 651 kg)*	31,700 lb (14 379 kg)	22,700 lb* (10 297 kg)*	16,450 lb (7 462 kg)	16,800 lb (7 620 kg)	11,050 lb (5 012 kg)			22 ft 7 in (6.88 m)	14,150 lb (6 418 kg)	9,450 lb (4 286 kg)
<b>-15 ft (-4.5 m)</b>	7 ft 6 in (2.29 m)	31,450 lb* (14 265 kg)*	31,450 lb* (14 265 kg)*					25,850 lb* (11 725 kg)*	25,850 lb* (11 725 kg)*	18,400 lb* (8 346 kg)*	16,950 lb (7 688 kg)					18 ft 0 in (5.49 m)	14,500 lb* (6 577 kg)*	13,250 lb (6 010 kg)

**8 ft 2 in (2.5 m) Arm** Lift capacities calculated using a 1,918 lb (870 kg) bucket, 11,508 lb (5 220 kg) counterweight.

Load (Lift Point Height)	MINIMUM REACH			0 ft (0 m)		5 ft (1.5 m)		10 ft (3 m)		15 ft (4.5 m)		20 ft (6 m)		25 ft (7.5 m)		MAXIMUM REACH		
	@	END	SIDE	END	SIDE	END	SIDE	END	SIDE	END	SIDE	END	SIDE	END	SIDE	@	END	SIDE
<b>+25 ft (7.5 m)</b>	18 ft 4 in (5.59 m)	15,950 lb* (7 235 kg)*	15,950 lb* (7 235 kg)*													19 ft 4 in (5.89 m)	14,750 lb* (6 690 kg)*	14,750 lb* (6 690 kg)*
<b>+20 ft (6 m)</b>	18 ft 4 in (5.59 m)	15,850 lb* (7 189 kg)*	15,850 lb* (7 189 kg)*									15,650 lb* (7 099 kg)*	15,550 lb (7 053 kg)			23 ft 3 in (7.08 m)	13,500 lb* (6 123 kg)*	12,150 lb (5 511 kg)
<b>+15 ft (4.5 m)</b>	13 ft 10 in (4.22 m)	21,250 lb* (9 639 kg)*	21,250 lb* (9 639 kg)*							20,100 lb* (9 117 kg)*	20,100 lb* (9 117 kg)*	17,050 lb* (7 734 kg)*	15,100 lb (6 849 kg)	15,400 lb (6 985 kg)	10,700 lb (4 853 kg)	25 ft 7 in (7.8 m)	13,150 lb* (5 965 kg)*	10,300 lb (4 672 kg)
<b>+10 ft (3 m)</b>	12 ft 10 in (3.91 m)	30,200 lb* (13 698 kg)*	27,650 lb (12 542 kg)							25,200 lb* (11 431 kg)*	21,950 lb (9 956 kg)	19,300 lb* (8 754 kg)*	14,500 lb (6 577 kg)	15,150 lb (6 872 kg)	10,450 lb (4 740 kg)	26 ft 9 in (8.15 m)	13,400 lb* (6 078 kg)*	9,400 lb (4 264 kg)
<b>+5 ft (1.5 m)</b>	13 ft 4 in (4.06 m)	28,300 lb* (12 837 kg)*	24,600 lb (11 158 kg)							29,350 lb* (13 313 kg)*	20,750 lb (9 412 kg)	20,750 lb (9 412 kg)	13,900 lb (6 305 kg)	14,850 lb (6 736 kg)	10,200 lb (4 627 kg)	27 ft 0 in (8.23 m)	13,250 lb (6 010 kg)	9,150 lb (4 150 kg)
<b>Groundline</b>	11 ft 10 in (3.6 m)	20,800 lb* (9 435 kg)*	20,800 lb* (9 435 kg)*							30,950 lb* (14 039 kg)*	20,250 lb (9 185 kg)	20,300 lb (9 208 kg)	13,500 lb (6 123 kg)	14,650 lb (6 645 kg)	10,000 lb (4 536 kg)	26 ft 4 in (8 m)	13,650 lb (6 192 kg)	9,350 lb (4 241 kg)
<b>-5 ft (-1.5 m)</b>	7 ft 0 in (2.13 m)	18,900 lb* (8 573 kg)*	18,900 lb* (8 573 kg)*					28,500 lb* (12 927 kg)*	28,500 lb* (12 927 kg)*	30,300 lb* (13 744 kg)*	20,150 lb (9 140 kg)	20,200 lb (9 163 kg)	13,400 lb (6 078 kg)			24 ft 7 in (7.5 m)	15,050 lb (6 827 kg)	10,250 lb (4 649 kg)
<b>-10 ft (-3 m)</b>	5 ft 9 in (1.75 m)	36,000 lb* (16 329 kg)*	36,000 lb* (16 329 kg)*					37,400 lb* (16 964 kg)*	37,400 lb* (16 964 kg)*	27,400 lb* (12 428 kg)*	20,450 lb (9 276 kg)	20,250 lb* (9 185 kg)*	13,600 lb (6 169 kg)			21 ft 7 in (6.58 m)	18,000 lb* (8 165 kg)*	12,400 lb (5 625 kg)
<b>-15 ft (-4.5 m)</b>	10 ft 0 in (3.0 m)	27,700 lb* (12 565 kg)*	27,700 lb* (12 565 kg)*					27,650 lb* (12 542 kg)*	27,650 lb* (12 542 kg)*	20,000 lb* (9 072 kg)*	20,000 lb* (9 072 kg)*					16 ft 7 in (5.06 m)	17,200 lb* (7 802 kg)*	17,200 lb* (7 802 kg)*

NOTE: \*Following number indicates hydraulic capacity

## LIFT CAPACITIES

11 ft 6 in (3.5 m) Arm Lift capacities calculated using a 1,742 lb (790 kg) bucket, 11,508 lb (5 220 kg) counterweight.

Load (Lift Point Height)	MINIMUM REACH			0 ft (0 m)		5 ft (1.5 m)		10 ft (3 m)		15 ft (4.5 m)		20 ft (6 m)		25 ft (7.5 m)		30 ft (9 m)		MAXIMUM REACH		
	@	END	SIDE	END	SIDE	END	SIDE	END	SIDE	END	SIDE	END	SIDE	END	SIDE	END	SIDE	@	END	SIDE
<b>+25 ft (7.5 m)</b>	21 ft 10 in (6.65 m)	11,850 lb* (5 375 kg)*	11,850 lb* (5 375 kg)*															23 ft 7 in (7.19 m)	8,100 lb* (3 674 kg)*	8,100 lb* (3 674 kg)*
<b>+20 ft (6 m)</b>	21 ft 10 in (6.65 m)	12,900 lb* (5 851 kg)*	12,900 lb* (5 851 kg)*											11,950 lb* (5 420 kg)*	11,100 lb (5 035 kg)			26 ft 11 in (8.2 m)	7,550 lb* (3 425 kg)*	7,550 lb* (3 425 kg)*
<b>+15 ft (4.5 m)</b>	19 ft 4 in (5.9 m)	14,650 lb* (6 645 kg)*	14,650 lb* (6 645 kg)*									14,500 lb* (6 577 kg)*	14,500 lb* (6 577 kg)*	13,700 lb* (6 214 kg)*	10,900 lb (4 944 kg)			28 ft 11 in (8.8 m)	7,350 lb* (3 334 kg)*	7,350 lb* (3 334 kg)*
<b>+10 ft (3 m)</b>	9 ft 4 in (2.84 m)	35,600 lb* (16 148 kg)*	35,600 lb* (16 148 kg)*					32,550 lb* (14 764 kg)*	32,550 lb* (14 764 kg)*	21,300 lb* (9 662 kg)*	21,300 lb* (9 662 kg)*	17,000 lb* (7 711 kg)*	14,800 lb (6 713 kg)	14,950 lb* (6 781 kg)*	10,600 lb (4 808 kg)			30 ft 0 in (9.14 m)	7,450 lb* (3 379 kg)*	7,450 lb* (3 379 kg)*
<b>+5 ft (1.5 m)</b>	10 ft 0 in (3.0 m)	14,650 lb* (6 645 kg)*	14,650 lb* (6 645 kg)*							26,450 lb* (11 998 kg)*	21,250 lb (9 639 kg)	19,650 lb* (8 913 kg)*	14,050 lb (6 373 kg)	14,900 lb (6 759 kg)	10,200 lb (4 627 kg)	8,900 lb* (4 037 kg)*	7,800 lb (3 538 kg)	30 ft 2 in (9.2 m)	7,800 lb* (3 538 kg)*	7,700 lb (3 493 kg)
<b>Groundline</b>	7 ft 10 in (2.38 m)	10,350 lb* (4 695 kg)*	10,350 lb* (4 695 kg)*					17,350 lb* (7 870 kg)*	17,350 lb* (7 870 kg)*	29,700 lb* (13 472 kg)*	20,300 lb (9 208 kg)	20,300 lb (9 208 kg)	13,500 lb (6 123 kg)	14,550 lb (6 600 kg)	9,900 lb (4 491 kg)			29 ft 7 in (9 m)	8,500 lb* (3 856 kg)*	7,850 lb (3 561 kg)
<b>-5 ft (-1.5 m)</b>	2 ft 4 in (0.71 m)	14,200 lb* (6 441 kg)*	14,200 lb* (6 441 kg)*			15,400 lb* (6 985 kg)*	15,400 lb* (6 985 kg)*	26,050 lb* (11 816 kg)*	26,050 lb* (11 816 kg)*	30,700 lb* (13 925 kg)*	19,900 lb (9 026 kg)	20,000 lb (9 072 kg)	13,200 lb (5 987 kg)	14,400 lb (6 532 kg)	9,750 lb (4 423 kg)			28 ft 1 in (8.56 m)	9,650 lb* (4 377 kg)*	8,400 lb (3 810 kg)
<b>-10 ft (-3 m)</b>	2 ft 4 in (0.71 m)	23,100 lb* (10 478 kg)*	23,100 lb* (10 478 kg)*			25,650 lb* (11 635 kg)*	25,650 lb* (11 635 kg)*	39,000 lb* (17 690 kg)*	39,000 lb* (17 690 kg)*	29,500 lb* (13 381 kg)*	19,950 lb (9 049 kg)	19,950 lb (9 049 kg)	13,200 lb (5 987 kg)	14,500 lb (6 577 kg)	9,850 lb (4 468 kg)			25 ft 5 in (7.8 m)	11,850 lb* (5 375 kg)*	9,650 lb (4 377 kg)
<b>-15 ft (-4.5 m)</b>	4 ft 8 in (1.42 m)	38,300 lb* (17 373 kg)*	38,300 lb* (17 373 kg)*			38,950 lb* (17 667 kg)*	38,950 lb* (17 667 kg)*	35,950 lb* (16 307 kg)*	35,950 lb* (16 307 kg)*	25,500 lb* (11 567 kg)*	20,350 lb (9 231 kg)	18,350 lb* (8 323 kg)*	13,550 lb (6 146 kg)					21 ft 5 in (6.53 m)	16,250 lb* (7 371 kg)*	12,450 lb (5 647 kg)

NOTE: \*Following number indicates hydraulic capacity

## SYSTEM FLUID CAPACITIES AND SPECIFICATIONS

	Capacities	Specifications
Hydraulic system	77 gal (290 L)	ISO VG 46
Hydraulic sump tank	43 gal (162 L)	ISO VG 46
Fuel tank	108 gal (410 L)	Light oil (Diesel)
Cooling system	7.9 gal (30.0 L)	Coolant 55%, Water 45%
Final drive case – per side	1.3 gal (5.0 L)	API GL-4 90
Swing drive case	2.5 gal (9.6 L)	API GL-4 90
Engine crank case – with Remote Oil Filter	3.9 gal (14.6 L)	API CK-4 SAE 10W-40
Urea water tank	22 gal (84 L)	ISO 22241

## STANDARD EQUIPMENT

### ENGINE

FPT NEF6  
Tier 4 Final/Stage V Certified  
Selective Catalytic Reduction  
on Filter – SCRoF  
Six-cylinder turbo-charged diesel  
Fixed geometry turbocharger  
High pressure common rail  
system - electronic  
Neutral safety start  
Auto-engine warm up  
Air intake heater  
Fuel Economy Assist System – FEA  
Engine Protection Feature – EPF  
Dual-stage fuel filtration  
Dual element air filter  
Remote oil filter  
Drain for fuel tank  
1,000-hour engine/oil change interval  
24-volt system  
Engine oil sample port  
Battery disconnect switch  
Emergency engine stop  
External Fuel and DEF gauges  
Fan housing  
Fuel cooler  
Fuel filter restriction indicator  
Fuel shut-off valve  
Radiator, oil cooler,  
intercooler – protective chaff screen

### FUEL ECONOMY SYSTEMS

Engine Idle/Fuel Economy System:  
Auto-idle  
One-touch idle  
Timed engine shut down  
BEC – Boom Economy Control  
AEC – Auto Economy Control  
SWC – Swing Relief Control  
SSC – Spool Stroke Control

### HYDRAULIC CONTROLS

Boom/Arm/Bucket/Swing:  
Pilot pressure control system  
(ISO or SAE control pattern)  
Work mode select:  
1 SP – mode  
2 Power – mode  
3 Eco – mode  
4 Lift – mode  
Travel mode select – 2-speed travel with  
auto downshift  
Attachment cushion control  
Hydraulic lock – gate lock, left side tilt console  
Single pedal travel  
Custom flow balance adjustment:  
Arm in vs. boom up  
Arm in vs. swing  
Multi-function with electronic pressure  
and flow control/joystick activated  
with electronic configurable  
proportional controls

### UPPER STRUCTURE

ISO mirrors – 3  
Cab ISO-Mounts – fluid and spring  
Upper mounted work light – 70 watt  
Swivel guard belly pan  
Center cover – over main CV  
Fuel tank belly pan  
Handrail – RH access  
ISO guard rails  
Lifting eyes for counterweight  
Lockable fuel cap, service doors and tool box

### ATTACHMENTS

Boom – 19 ft 2 in (5.85 m)  
Arm – 9 ft 10 in (3.00 m)  
Heavy-duty bucket linkage  
Boom mounted work light – 70 watt  
Auxiliary pipe brackets  
Centralized grease fittings  
Attachment cushion valve  
Arm and boom regeneration  
Bucket anti-clatter device  
Chrome pins  
Easy Maintenance System (EMS) bushings  
Teardrop pin retention keepers

### OPERATOR ENVIRONMENT

Operators cab:  
Smooth and round shape design cab,  
fabricated by press work  
Safety glass for all windows  
Shock-less cab suspension by 4-point  
fluid mounting  
Sliding front window with auto lock  
10 in Full-color LCD monitor display  
Membrane switch on monitor display with  
5 configurable button on bottom  
of monitor  
Switch panel – including throttle dial with  
eco-mode switch  
Windshield wiper & washer  
AM/FM/Bluetooth Radio with  
hands-free phone  
Sectioned floor mat  
Polycarbonate roof hatch & Sun shade  
Auto climate control  
Roll-over protective structure – ROPS  
Top guard OPG level 1 – in cab structure  
Operator's seat:  
Low frequency air suspension with  
air springs and double acting  
hydraulic damper.  
With following features:  
Manual weight adjustment  
Backrest angle adjustment  
Seat height adjustment  
Adjustable armrest – Angle and height  
Adjustable headrest  
Retractable seat belt  
Adjustable lumbar support  
Console mount on suspension  
Control consoles adjust  
independently of seat

Others:  
Rear view mirror – Cab side & Right side  
Rear & Right-side view Camera

### UNDERCARRIAGE

Travel motor Variable displacement  
axial piston motor  
Brake Mechanical disc brake  
Hydraulic service brake Brake valve  
Final drive Planetary gear reduction  
Travel speeds:  
High 3.4 mph (5.5 km/h)  
(Automatic travel speed downshifting)  
Low 2.2 mph (3.5 km/h)  
Drawbar pull 45,000 lbf (200 kN)  
Number of carrier rollers 2 – each side  
Number of track rollers 9 – each side  
Number of shoes 51 – each side  
Type of shoe Triple semi-grouser shoe  
Link pitch 7 in (190 mm)  
Width of shoe 31 in (800 mm) S.T.D  
Grade-ability 70% (35°)

### TELEMATICS

CASE SiteWatch™ Telematics – includes  
hardware and a 3-yr Advanced  
data subscription for 2-way communication

### MASS

Operating mass 56,900 lb (25 800 kg)  
with 9 ft 10 in (3.0 m) Arm, 1.1 m<sup>3</sup> Sumitomo  
Bucket, 800 mm grouser shoe, operator,  
lubricant, coolant, full fuel tank  
Shipping mass 56,200 lb (25 500 kg)  
Operating mass – (operator mass (75 kg)  
+ full fuel mass + bucket mass (810 kg) +  
shipping fuel mass  
Counterweight mass 11,100 lb (5 050 kg)  
Ground pressure 5.5 psi (0.038 MPa)  
with 9 ft 10 in (3.0 m) Arm, 1.1 m<sup>3</sup> Sumitomo  
Bucket, 800 mm grouser shoe

### ELECTRICAL SYSTEM

Engine control:  
Dial type throttle control  
One touch idle/Auto deceleration/timed  
engine shutdown system  
Emergency stop  
Monitor system:  
Message display – Caution, condition, etc.  
Work mode display – SP, Power, Eco, Lift  
Machine condition – Power boost, etc.  
Alarm display and buzzer  
Water temperature  
Hydraulic oil temperature  
Fuel level  
Diagnosis system  
Rear & Right-side view camera image  
Urea water level  
Wire harness  
Travel alarm  
Double horn  
Battery  
Lights  
Working light  
Upper 24 V 70 W x1  
Boom 24 V 70 W x1  
Cab 24 V 70 W x2  
Operator's cab room 24 V 10 W x1

## OPTIONAL EQUIPMENT

### ENGINE

Refueling pump  
Air pre-cleaner – Cyclone  
High ambient temperature cooling package

### HYDRAULICS

Auxiliary hydraulics:  
Proportionally controlled secondary  
low-flow auxiliary hydraulics  
Hose Burst Check Valve – HBCV

### MACHINE CONTROL

Leica iCON iXE2 – 2D System  
Leica iCON iXE3 – 3D System

### ATTACHMENTS

Heavy-duty arm – 8 ft 4 in (2.50 m)  
Long arm – 11 ft 6 in (3.52 m)  
Quick coupler/Case multi-pin grabber  
Tools:  
Heavy-duty/Extreme-duty/Ditching  
Buckets; Hammers; Thumbs;  
Compaction plates.

### UPPER STRUCTURE

Rubber bumper guard – order through  
Service Parts

### UNDERCARRIAGE

23.6 in (600 mm) steel shoes,  
triple semi-grouser  
27.6 in (700 mm) steel shoes,  
triple semi-grouser  
Track guides – triple

### OPERATOR ENVIRONMENT

FOPS cab top guard – Level 2  
Front grill guard – 2 x 2 in (50.8 x 50.8 mm)  
screen mesh  
Front rock guard – vertical bars  
Two piece/OPG 1  
Front rock guard – vertical bars  
One piece/OPG 2  
Vandal guard (front window) with  
common key  
Rain deflector – not available with  
Front guards  
Sun visor  
Max View Monitor – 3 cameras with  
270-degree view  
LED Package:  
Includes 6 LED Lights – 2 front cab  
mounted, 2 rear mounted and 1 mounted  
on each side

**CaseCE.com**

©2022 CNH Industrial America LLC. All rights reserved. CASE is a trademark registered in the United States and many other countries, owned by or licensed to CNH Industrial N.V., its subsidiaries or affiliates. CNH Industrial Capital is a trademark in the United States and many other countries, owned by or licensed to CNH Industrial N.V., its subsidiaries or affiliates. Printed in U.S.A. Contains 10% post-consumer fiber.

IMPORTANT: CASE Construction Equipment Inc. reserves the right to change these specifications without notice and without incurring any obligation relating to such change. Availability of some models and equipment builds vary according to the country in which the equipment is used. The illustrations and text may include optional equipment and accessories and may not include all standard equipment. Your CASE dealer/distributor will be able to give you details of the products and their specifications available in your area.



CASE Construction Equipment is biodiesel-friendly. NOTE: All engines meet current EPA emissions regulations. All specifications are stated in accordance with SAE Standards or Recommended Practices, where applicable.



Always read the Operator's Manual before operating any equipment. Inspect equipment before using it, and be sure it is operating properly. Follow the product safety signs and use any safety features provided.

Form No. CCE202209CX260ELC

Replaces Form No. CCE202203CX260ELC

**CX260E LC**

**7 of 7**