

## ENGINE

Model	FPT NEF4
Emissions Certification	Tier 4 Final/Stage V
Fuel	Requires ultra-low sulfur fuel B5 biodiesel tolerant
Type	Water-cooled, 4-cycle diesel, 4-cylinder in line, high pressure common rail system – electric control. Fixed geometry turbocharger w/ air cooled intercooler, ATS, EGR-free
Cylinders	4-cylinder in-line
Displacement	274 in <sup>3</sup> (4.49 L)
Bore/Stroke	4.09 x 5.20 in (104 x 132 mm)
Fuel injection	High pressure common rail system – electronic
Fuel filter	Replaceable, full flow spin-on cartridge
Air filter	Dry type dual element w/ warning restriction indicator
Oil filter	Replaceable, full flow spin-on cartridge
Engine gradeability:	
Side-to-side	35°
Fore and aft	35°

Net horsepower – SAE J1349 @ 2200 RPM:  
121 hp (90.4 kW)

Net max. torque – SAE J1349 @ 1600 RPM:  
336 lbf-ft (456 N·m)

Cooling operating range:  
113° to -4°F (45° to -20°C)

Oil Requires low-ash oil CJ-4

## DRIVETRAIN

Travel control	Dual stage relief/ counter balance design
Brakes	Mechanical disc
Two speed travel:	
Max. high speed	2.7 mph (4.3 km/h)
Max. low speed	1.6 mph (2.6 km/h)
Automatic downshift	
Drawbar pull	42,700 lbf (190 kN)
Gradeability	70% – 35° Slope

## ELECTRICAL

Voltage	24 Volts
Alternator rating	90 amp
Batteries	2 x 12 Volt
Battery reserve capacity	72 Ah /5 hour
Work lights – 4	24 Volt/70 watt
1 boom, 1 upper, 2 cab	

## OPERATOR ENVIRONMENT

Air conditioner output	18,100 BTU/hr
Heater output	20,150 BTU/hr
Sound level inside cab – ISO6396	70 dBA
Electrical outlet	12 Volt
Cab interior light	10 watt
Rear and side view cameras	

Operator's Cab:  
Smooth and round shape design cab; Safety glass for all windows; Shock-less cab suspension by 4-point fluid mounting; Sliding front window w/ auto lock; 10" Full-color LCD monitor display; Membrane switch on monitor display; Switch panel (including throttle dial w/ eco-mode switch); Windshield wiper & washer; AM/FM/Bluetooth Radio w/ hands-free phone; Sectioned floor mat; Polycarbonate roof hatch & Sun shade; Auto air conditioner; Roll-over protective structure (ROPS); Top guard OPG level 1 (in cab structure).

Seat:  
Low frequency air suspension w/ air springs and double acting hydraulic damper; Manual weight adjustment; Backrest angle adjustment; Seat height adjustment; Adjustable armrest (Angle and height); Adjustable headrest; Retractable seat belt; Adjustable lumbar support; Console mount on suspension; Control consoles adjust independently of seat.

## ATTACHMENT

Boom	18 ft 8 in (5.70 m)
Arm options:	
Standard	9 ft 8 in (2.94 m)
Heavy-duty	7 ft 10 in (2.40 m)
Bucket digging force*	31,923 lbf (142 kN)
w/ Auto Power-Boost	34,621 lbf (154 kN)

NOTE: \*Digging force ratings based on ISO6015.

## OPERATING WEIGHT

Operating weight	41,000 lb (18 600 kg)
w/ shoes	2 ft 6.25 in (800 mm)
w/ boom	18 ft 8 in (5.7 m)
w/ arm	9 ft 8 in (2.94 m)
w/ bucket	1,433 lb (650 kg)
w/ counterweight	7,600 lb (3 450 kg)

NOTE: W/ operator/full fuel/standard equipment.

## GROUND PRESSURE

@ Standard operating weight 6.1 psi (0.42 bar)  
w/ 24 in (600 mm) triple semi-grouser shoes

## HYDRAULICS

System design	Open center
Main pumps	Two-variable displacement/ axial piston pumps w/ regulating system
Max. rated flow x 2	42 gpm (159 L/min) @ 2,200 RPM
System pressures:	
Boom, arm and bucket	4,970 psi (343 bar)
w/ Auto Power Up	5,260 psi (363 bar)
Travel circuits	4,970 psi (343 bar)
Swing circuits	4,050 psi (279 bar)
Pilot pump	1 x gear design
Max. capacity	5.8 gpm (22 L/min)
Pilot system working pressure:	570 psi (39 bar, 40 kgf/cm <sup>2</sup> )

Control valve w/ boom/arm holding valve:  
Right track travel, bucket, boom and  
arm acceleration. 1 x Four-spool section  
Left track travel, auxiliary, swing, boom and  
arm acceleration. 1 x Five-spool section

Work mode selections SP – Mode  
Power – Mode  
Eco – Mode  
Lift – Mode

Swing motor	Fixed displacement axial piston
Swing final drive	Planetary gear reduction
Travel motor	Two-speed independent travel/axial piston

## HYDRAULIC CYLINDERS

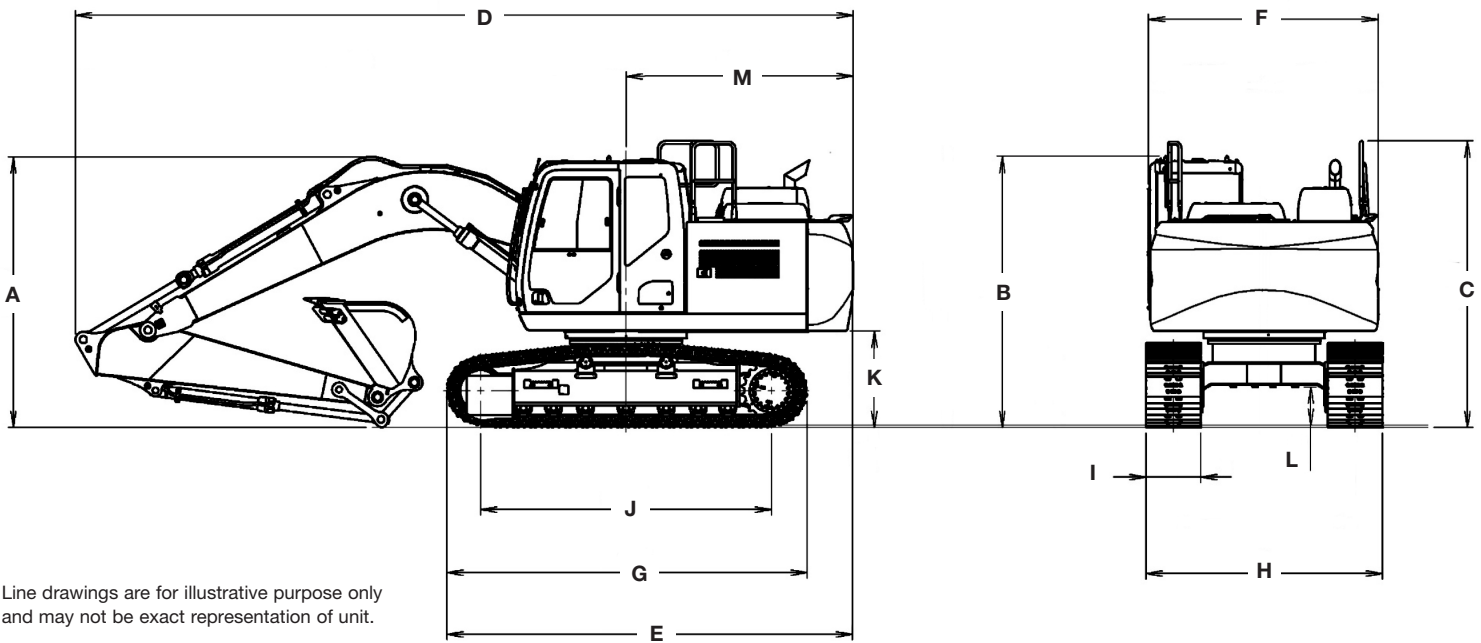
Boom cylinders	Two (2)
Cylinder bore	4.53 in (115 mm)
Cylinder rod diameter	3.15 in (80 mm)
Cylinder stroke	46.12 in (1 179 mm)
Arm cylinder	One (1)
Cylinder bore	4.9 in (125 mm)
Cylinder rod diameter	3.5 in (90 mm)
Cylinder stroke	50.4 in (1 280 mm)
Bucket cylinder	One (1)
Cylinder bore	4.13 in (105 mm)
Cylinder rod diameter	3.0 in (75 mm)
Cylinder stroke	38.8 in (985 mm)

## SERVICE CAPACITIES

Fuel tank	79 gal (300 L)
Hydraulic system	45 gal (170 L)
Hydraulic Sump tank	22 gal (82 L)
Engine oil w/ filter	2.9 gal (10.8 L)
Swing drive	1.3 gal (5.0 L)
Final drive	1.2 gal (4.5 L)
Cooling system	5.4 gal (20.5 L)
DEF Tank	16 gal (60 L)

## OTHER SPECIFICATIONS

Swing speed	11.8 RPM
Swing torque	33,300 lbf-ft (45.1 kN-m)
Swing brake	Mechanical disc
Undercarriage:	
Length	13 ft 6 in (4 180 mm)
Track gauge	7 ft 3 in (2 200 mm)
Carrier rollers	2
Track rollers	7
Shoes – triple grouser	46
Shoe width – std.	2 ft 0 in (600 mm)
Link pitch	7.5 in (190 mm)
Track:	
Chain	Grease lubricated/strutted
Guides	Single
Adjustment	Hydraulic

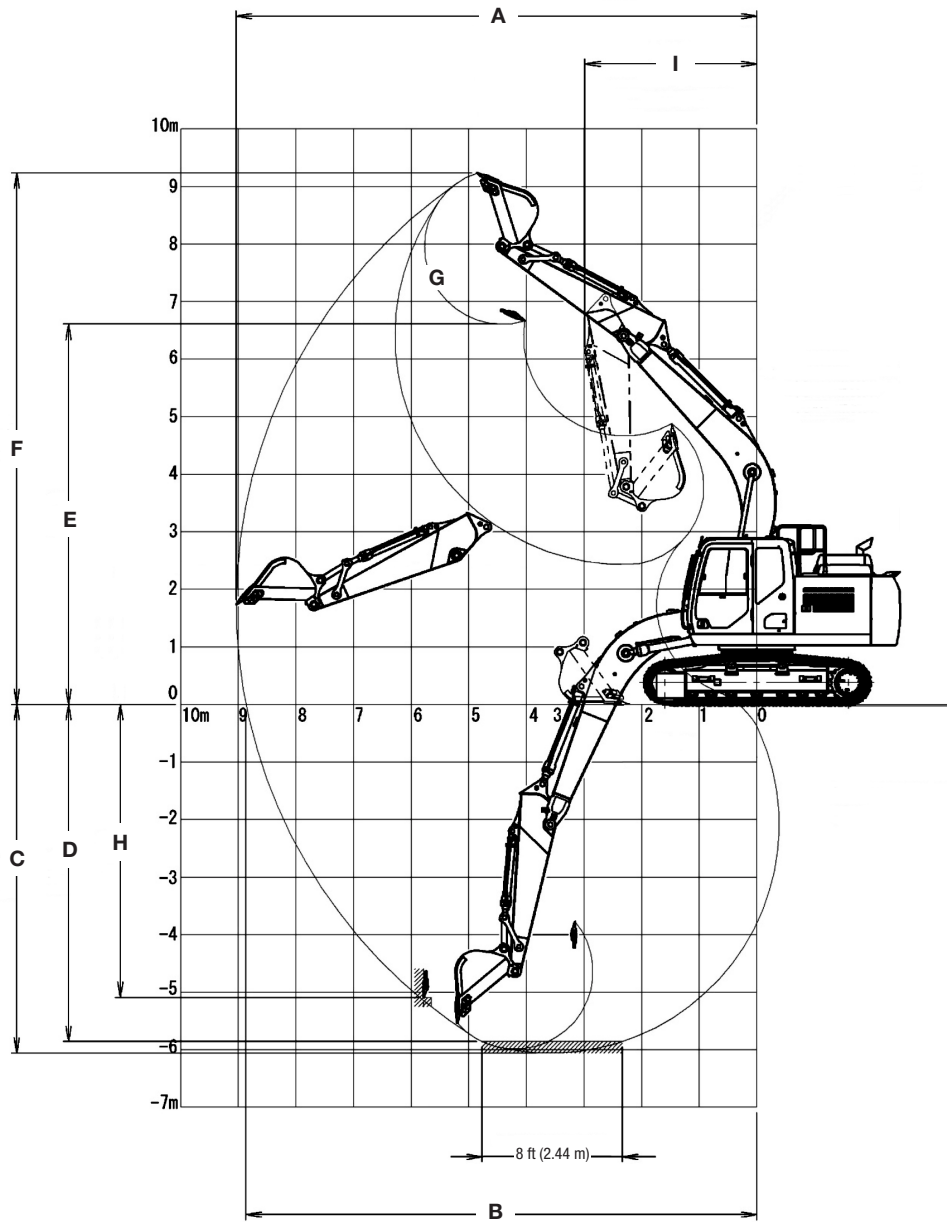


Line drawings are for illustrative purpose only and may not be exact representation of unit.

## DIMENSIONS

	8 ft 7 in (2.62 m) Arm	10 ft 0 in (3.05 m) Arm
<b>A.</b> Overall height – with attachment	9 ft 9 in (2 960 mm)	10 ft 3 in (3 130 mm)
<b>B.</b> Cab height	10 ft 1 in (3 070 mm)	10 ft 1 in (3 070 mm)
<b>C.</b> Overall height to top of guardrail	10 ft 4 in (3 150 mm)	10 ft 4 in (3 150 mm)
<b>D.</b> Overall length – with attachment	27 ft 11 in (8 510 mm)	28 ft 1 in (8 570 mm)
<b>E.</b> Overall length – without attachment	15 ft 0 ft (4 580 mm)	15 ft 0 ft (4 580 mm)
<b>F.</b> Width of upper structure	8 ft 3 in (2 520 mm)	8 ft 3 in (2 520 mm)
<b>G.</b> Track overall length	13 ft 9 in (4 180 mm)	13 ft 9 in (4 180 mm)
<b>H.</b> Track overall width with 36.5 in (800 mm) shoes	9 ft 2 in (2 800 mm)	9 ft 2 in (2 800 mm)
<b>I.</b> Track shoe width	2 ft 0 ft (600 mm)	2 ft 0 ft (600 mm)
<b>J.</b> Center to center – idler to sprocket	11 ft 1 in (3 370 mm)	11 ft 1 in (3 370 mm)
<b>K.</b> Upper structure ground clearance	3 ft 5 in (1 040 mm)	3 ft 5 in (1 040 mm)
<b>L.</b> Minimum ground clearance	1 ft 4 in (440 mm)	1 ft 4 in (440 mm)
<b>M.</b> Rear tail swing radius	8 ft 3 in (2 520 mm)	8 ft 3 in (2 520 mm)
Operating weight*	41 000 lb (18 600 kg)	48,848 lb (22 181 kg)
Ground pressure	6.09 psi (0.42 bar)	4.93 psi (0.34 bar)

NOTE: \*With 18 ft 8 in (5.70 m) boom, 31.5 in (800 mm) track shoe, 1,433 lb (650 kg) bucket, 165 lb (75 kg) operator, full fuel and standard equipment.



### PERFORMANCE SPECS

	8 ft 7 in (2.62 m) Arm	10 ft 0 in (3.05 m) Arm
<b>A.</b> Maximum dig radius	29 ft 8 in (9 040 mm)	30 ft 9 in (9 380 mm)
<b>B.</b> Dig radius at groundline	29 ft 1 in (8 870 mm)	30 ft 3 in (9 220 mm)
<b>C.</b> Maximum dig depth	19 ft 11 in (6 060 mm)	21 ft 4 in (6 490 mm)
<b>D.</b> Dig depth – 8 ft 0 in (2.44 m) level bottom	19 ft 2 in (5 850 mm)	20 ft 8 in (6 290 mm)
<b>E.</b> Dump height	21 ft 8 in (6 610 mm)	21 ft 11 in (6 690 mm)
<b>F.</b> Maximum reach height	30 ft 4 in (9 240 mm)	30 ft 6 in (9 290 mm)
<b>G.</b> Bucket rotation	178°	178°
<b>H.</b> Maximum vertical wall dig depth	16 ft 8 in (5 090 mm)	17 ft 2 in (5 230 mm)
<b>I.</b> Minimum swing radius	9 ft 10 in (2 990 mm)	10 ft 0 in (3 050 mm)
Arm digging force:		
Standard	17,800 lbf (79 kN)	16,200 lbf (72 kN)
Auto Power Up	18,800 lbf (84 kN)	17,300 lbf (77 kN)
Bucket digging force:		
Standard	25,200 lbf (112 kN)	25,200 lbf (112 kN)
Auto Power Up	26,500 lbf (118 kN)	26,500 lbf (118 kN)

**LIFT CAPACITIES**

**8 ft 7 in (2.62 m) Arm** Lift capacities using a 1,433 lb (650 kg) bucket, 7,650 lb (3 470 kg) counterweight.

Load (Lift Point Height)	MINIMUM REACH			5 ft (1.5 m)		10 ft (3 m)		15 ft (4.5 m)		20 ft (6 m)		25 ft (7.5 m)		MAXIMUM REACH		
	@	END	SIDE	END	SIDE	END	SIDE	END	SIDE	END	SIDE	END	SIDE	@	END	SIDE
<b>+25 ft (7.5 m)</b>	15 ft 3 in (4.7 m)	8,550 lb* (4 030 kg)*	8,550 lb* (4 030 kg)*											16 ft 1 in (5.04 m)	6,850 lb* (3 040 kg)*	6,850 lb* (3 040 kg)*
<b>+20 ft (6 m)</b>	16 ft 2 in (4.9 m)	10,000 lb* (4 540 kg)*	10,000 lb* (4 540 kg)*							7,850 lb* (3 960 kg)*	7,850 lb* (3 960 kg)*			20 ft 9 in (6.38 m)	5,900 lb* (2 680 kg)*	5,900 lb* (2 680 kg)*
<b>+15 ft (4.5 m)</b>	13 ft 8 in (4.1 m)	11,850 lb* (5 490 kg)*	11,850 lb* (5 490 kg)*					11,550 lb* (5 320 kg)*	11,550 lb* (5 320 kg)*	10,800 lb* (4 930 kg)*	8,950 lb* (4 150 kg)			23 ft 5 in (7.17 m)	5,650 lb* (2 560 kg)*	5,650 lb* (2 560 kg)*
<b>+10 ft (3 m)</b>	9 ft 2 in (2.82 m)	24,750 lb* (11 290 kg)*	24,750 lb* (11 290 kg)*			22,100 lb* (10 370 kg)*	22,100 lb* (10 370 kg)*	14,700 lb* (6 800 kg)*	13,100 lb* (6 070 kg)	12,100 lb* (5 560 kg)*	8,650 lb* (4 000 kg)	6,900 lb* (3 130 kg)*	6,327 lb* (2 870 kg)	24 ft 10 in (7.59 m)	5,700 lb* (2 580 kg)*	5,700 lb* (2 580 kg)*
<b>+5 ft (1.5 m)</b>	10 ft 1 in (3.08 m)	11,550 lb* (5 190 kg)*	11,550 lb* (5 190 kg)*					18,000 lb* (8 320 kg)*	12,350 lb* (5 730 kg)	12,450 lb* (5 790 kg)	8,300 lb* (3 850 kg)	7,100 lb* (3 990 kg)*	6,050 lb* (2 810 kg)	25 ft 3 in (7.69 m)	6,000 lb* (2 730 kg)*	6,000 lb* (2 720 kg)*
<b>Groundline</b>	8 ft 3 in (2.52 m)	8,600 lb* (3 910 kg)*	8,600 lb* (3 910 kg)*			14,300 lb* (6 210 kg)*	14,300 lb* (6 210 kg)*	18,900 lb* (8 800 kg)	11,900 lb* (6 070 kg)	12,200 lb* (5 560 kg)*	8,050 lb* (3 730 kg)			24 ft 7 in (7.48 m)	6,700 lb* (3 040 kg)*	6,100 lb* (2 830 kg)*
<b>-5 ft (-1.5 m)</b>	3 ft 4 in (1.03 m)	12,200 lb* (5 480 kg)*	12,200 lb* (5 480 kg)*	13,050 lb* (5 830 kg)*	13,050 lb* (5 830 kg)*	23,600 lb* (10 340 kg)*	21,900 lb* (10 210 kg)	18,750 lb* (8 720 kg)	11,750 lb* (5 460 kg)	12,100 lb* (5 610 kg)	7,950 lb* (3 690 kg)			22 ft 9 in (6.95 m)	8,050 lb* (3 640 kg)*	6,750 lb* (3 050 kg)
<b>-10 ft (-3 m)</b>	3 ft 9 in (1.13 m)	21,700 lb* (9 660 kg)*	21,700 lb* (9 660 kg)*	23,200 lb* (10 310 kg)*	23,200 lb* (10 310 kg)*	26,500 lb* (12 240 kg)*	22,200 lb* (10 350 kg)	18,400 lb* (8 520 kg)*	11,900 lb* (5 510 kg)	11,244 lb* (5 100 kg)*	8,267 lb* (3 750 kg)			19 ft 7 in (6.01 m)	11,100 lb* (4 970 kg)*	8,350 lb* (3 740 kg)
<b>-15 ft (-4.5 m)</b>	9 ft 2 in (2.6 m)	19,950 lb* (9 810 kg)*	19,950 lb* (9 810 kg)*			18,750 lb* (8 660 kg)*	18,750 lb* (8 660 kg)*							14 ft 0 in (4.38 m)	12,950 lb* (5 910 kg)*	12,950 lb* (5 910 kg)*

**10 ft 0 in (3.05 m) Arm** Lift capacities using a 1,543 lb (700 kg) bucket, 7,650 lb (3 470 kg) counterweight.

Load (Lift Point Height)	MINIMUM REACH			5 ft (1.5 m)		10 ft (3 m)		15 ft (4.5 m)		20 ft (6 m)		25 ft (7.5 m)		MAXIMUM REACH		
	@	END	SIDE	END	SIDE	END	SIDE	END	SIDE	END	SIDE	END	SIDE	@	END	SIDE
<b>+25 ft (7.5 m)</b>	16 ft 10 in (5.17 m)	7,400 lb* (3 470 kg)*	7,400 lb* (3 470 kg)*											17 ft 9 in (5.55 m)	5,950 lb* (2 660 kg)*	5,950 lb* (2 660 kg)*
<b>+20 ft (6 m)</b>	17 ft 7 in (5.34 m)	9,000 lb* (4 090 kg)*	9,000 lb* (4 090 kg)*							8,200 lb* (3 880 kg)*	8,200 lb* (3 880 kg)*			22 ft 1 in (6.79 m)	5,300 lb* (2 400 kg)*	5,300 lb* (2 400 kg)*
<b>+15 ft (4.5 m)</b>	15 ft 7 in (4.69 m)	10,200 lb* (4 690 kg)*	10,200 lb* (4 690 kg)*							9,900 lb* (4 520 kg)*	9,000 lb* (4 170 kg)	5,467 lb* (2 480 kg)*	5,467 lb* (2 480 kg)*	24 ft 8 in (7.54 m)	5,150 lb* (2 330 kg)*	5,150 lb* (2 330 kg)*
<b>+10 ft (3 m)</b>	8 ft 2 in (2.52 m)	24,000 lb* (10 980 kg)*	24,000 lb* (10 980 kg)*			19,050 lb* (8 940 kg)*	19,050 lb* (8 940 kg)*	13,450 lb* (6 220 kg)*	13,250 lb* (6 140 kg)	11,300 lb* (5 200 kg)*	8,650 lb* (4 010 kg)	7,700 lb* (3 860 kg)*	6,200 lb* (2 870 kg)	26 ft 0 in (7.93 m)	5,200 lb* (2 370 kg)*	5,200 lb* (2 370 kg)*
<b>+5 ft (1.5 m)</b>	9 ft 3 in (2.81 m)	12,250 lb* (5 500 kg)*	12,250 lb* (5 500 kg)*			17,550 lb* (7 340 kg)*	17,550 lb* (7 340 kg)*	17,000 lb* (7 850 kg)*	12,400 lb* (5 750 kg)	12,450 lb* (5 790 kg)	8,300 lb* (3 840 kg)	8,950 lb* (4 150 kg)	6,000 lb* (2 790 kg)	26 ft 4 in (8.03 m)	5,550 lb* (2 520 kg)*	5,550 lb* (2 520 kg)*
<b>Groundline</b>	7 ft 2 in (2.17 m)	8,150 lb* (3 700 kg)*	8,150 lb* (3 700 kg)*			16,400 lb* (7 140 kg)*	16,400 lb* (7 140 kg)*	18,850 lb* (8 780 kg)	11,850 lb* (5 500 kg)	12,150 lb* (5 630 kg)	8,000 lb* (3 700 kg)	8,800 lb* (4 080 kg)	5,900 lb* (2 730 kg)	25 ft 8 in (7.83 m)	6,200 lb* (2 810 kg)*	5,650 lb* (2 570 kg)
<b>-5 ft (-1.5 m)</b>	1 ft 11 in (0.59 m)	11,400 lb* (5 130 kg)*	11,400 lb* (5 130 kg)*	12,650 lb* (5 660 kg)*	12,650 lb* (5 660 kg)*	23,000 lb* (10 100 kg)*	21,600 lb* (10 080 kg)	18,600 lb* (8 660 kg)	11,600 lb* (5 390 kg)	11,950 lb* (5 560 kg)	7,850 lb* (3 630 kg)			24 ft 0 in (7.33 m)	7,450 lb* (3 360 kg)*	6,200 lb* (2 800 kg)
<b>-10 ft (-3 m)</b>	2 ft 3 in (0.68 m)	18,200 lb* (8 140 kg)*	18,200 lb* (8 140 kg)*	20,800 lb* (9 250 kg)*	20,800 lb* (9 250 kg)*	27,850 lb* (12 860 kg)*	21,850 lb* (10 180 kg)	18,650 lb* (8 680 kg)	11,650 lb* (5 410 kg)	12,050 lb* (5 580 kg)	7,900 lb* (3 650 kg)			21 ft 0 in (6.44 m)	10,100 lb* (4 520 kg)*	7,450 lb* (3 340 kg)
<b>-15 ft (-4.5 m)</b>	6 ft 0 in (1.74 m)	31,400 lb* (15 150 kg)*	31,400 lb* (15 150 kg)*			21,650 lb* (10 130 kg)*	21,650 lb* (10 130 kg)*	14,500 lb* (6 880 kg)*	12,050 lb* (5 580 kg)					15 ft 11 in (4.95 m)	13,200 lb* (5 990 kg)*	11,100 lb* (4 900 kg)

NOTE: \*Following number indicates hydraulic capacity

## STANDARD EQUIPMENT

### ENGINE

FPT NEF4  
Tier 4 Final / Stage V Certified  
ATS  
Selective Catalytic Reduction  
on Filter – SCRoF  
Four-cylinder turbo-charged diesel  
Fixed geometry turbocharger  
High pressure common rail  
system - electronic  
Neutral safety start  
Auto-engine warm up  
Air intake heater  
Fuel Economy Assist System – FEA  
Engine Protection Feature – EPF  
Dual-stage fuel filtration  
Dual element air filter  
Remote oil filter  
Drain for fuel tank  
1000-hour engine oil/filter interval  
24-volt system  
Engine oil sample port  
Battery disconnect switch  
Emergency engine stop  
External Fuel and DEF gauges  
Fan housing  
Fuel cooler  
Fuel filter restriction indicator  
Fuel shut-off valve  
Radiator, oil cooler,  
intercooler – protective chaff screen

### FUEL ECONOMY SYSTEMS

Engine Idle/Fuel Economy System:  
Auto-idle  
One-touch idle  
Timed engine shut down  
BEC – Boom Economy Control  
AEC – Auto Economy Control  
SWC – Swing Relief Control  
SSC – Spool Stroke Control

### HYDRAULICS

Boom/Arm/Bucket/Swing:  
Pilot pressure control system  
(ISO or SAE control pattern)  
Work mode select:  
1 SP – mode  
2 Power – mode  
3 Eco – mode  
4 Lift – mode  
Travel mode select – 2-speed travel with  
auto downshift  
Attachment cushion control  
Hydraulic lock – gate lock, left side tilt con-  
sole  
Single pedal travel  
Custom flow balance adjustment:  
Arm in vs. boom up  
Arm in vs. swing  
Multi-function with electronic pressure  
and flow control/joystick activated  
with electronic configurable  
proportional controls

### UPPER STRUCTURE

ISO mirrors – 3  
Cab ISO-Mounts – fluid and spring  
Upper mounted work light – 70 watt  
Swivel guard belly pan  
Center cover – over main CV  
Fuel tank belly pan  
Handrail – RH access  
ISO guard rails  
Lifting eyes for counterweight  
Lockable fuel cap, service doors and tool box

### ATTACHMENTS

Boom – 18 ft 8 in (5.70 m)  
Arm – 9 ft 8 in (2.94 m)  
Heavy-duty bucket linkage  
Boom mounted work light – 70 watt  
Auxiliary pipe brackets  
Centralized grease fittings  
Attachment cushion valve  
Arm and boom regeneration  
Bucket anti-clatter device  
Chrome pins  
Easy Maintenance System (EMS) bushings  
Teardrop pin retention keepers

### OPERATOR ENVIRONMENT

Operators cab:  
Smooth and round shape design cab,  
fabricated by press work  
Safety glass for all windows  
Shock-less cab suspension by 4-point  
fluid mounting  
Sliding front window with auto lock  
10 in Full-color LCD monitor display  
Membrane switch on monitor display  
with 5 configurable button on bottom  
of monitor  
Switch panel – including throttle dial with  
eco-mode switch  
Windshield wiper & washer  
AM/FM/Bluetooth Radio with  
hands-free phone  
Sectioned floor mat  
Polycarbonate roof hatch & Sun shade  
Auto climate control  
Roll-over protective structure – ROPS  
Top guard OPG level 1 – in cab structure  
Operator's seat:  
Low frequency air suspension with  
air springs and double acting  
hydraulic damper  
With following features:  
Manual weight adjustment  
Backrest angle adjustment  
Seat height adjustment  
Adjustable armrest – Angle and height  
Adjustable headrest  
Retractable seat belt  
Adjustable lumbar support  
Console mount on suspension  
Control consoles adjust  
independently of seat  
Others:  
Rear view mirror – Cab side & Right side  
Rear & Right-side view Camera

### UNDERCARRIAGE

Travel motor Variable displacement  
axial piston motor  
Brake Mechanical disc brake  
Hydraulic service brake Brake valve  
Final drive Planetary gear reduction  
Travel speeds:  
High 2.7 mph (4.3 km/h)  
(Automatic travel speed downshifting)  
Low 1.6 mph (2.6 km/h)  
Drawbar pull 42,700 lbf (190 kN)  
Number of carrier rollers 2 – each side  
Number of track rollers 7 – each side  
Number of shoes 46 – each side  
Type of shoe Triple semi-grouser shoe  
Link pitch 7.48 in (190 mm)  
Width of shoe 23.6 in (600 mm) S.T.D  
Grade-ability 70% (35°)

### TELEMATICS

CASE SiteWatch™ Telematics – includes  
hardware and a 3-yr Advanced  
data subscription for 2-way communication

## OPTIONAL EQUIPMENT

### ENGINE

Refueling pump  
Air pre-cleaner – Cyclone  
High ambient temperature cooling package

### HYDRAULICS

Auxiliary hydraulics:  
Proportionally controlled secondary  
low-flow auxiliary hydraulics  
Hose Burst Check Valve – HBCV

### MACHINE CONTROL

Leica iCON iXE2 – 2D System  
Leica iCON iXE3 – 3D System

### ATTACHMENTS

Heavy-duty arm – 7 ft 10 in (2.40 m)  
Quick coupler/Case multi-pin grabber  
Tools:  
Heavy-duty/Extreme-duty/Ditching Buckets;  
Hammers; Thumbs; Compaction plates

### UPPER STRUCTURE

Rubber bumper guard – order through  
Service Parts

### UNDERCARRIAGE

23.6 in (600 mm) rubber link chain, bolt-on  
rubber pads on steel chain  
23.6 in (600 mm) steel shoes,  
triple semi-grouser  
27.6 in (700 mm) steel shoes,  
triple semi-grouser  
Track guides – triple

### OPERATOR ENVIRONMENT

FOPS cab top guard – Level 2  
Front grill guard – 2 x 2 in (50.8 x 50.8 mm)  
screen mesh  
Front rock guard – vertical bars  
Two piece/OPG 1  
Front rock guard – vertical bars  
One piece/OPG 2  
Vandal guard (front window) with common key  
Rain deflector – not available with front guards  
Sun visor  
Max View Monitor – 3 cameras with  
270-degree view  
LED Package:  
Includes 6 LED Lights – 2 front cab  
mounted, 2 rear mounted and 1 mounted  
on each side

**CaseCE.com**

©2022 CNH Industrial America LLC. All rights reserved. CASE is a trademark registered in the United States and many other countries, owned by or licensed to CNH Industrial N.V., its subsidiaries or affiliates. CNH Industrial Capital is a trademark in the United States and many other countries, owned by or licensed to CNH Industrial N.V., its subsidiaries or affiliates. Printed in U.S.A. Contains 10% post-consumer fiber.

IMPORTANT: CASE Construction Equipment Inc. reserves the right to change these specifications without notice and without incurring any obligation relating to such change. Availability of some models and equipment builds vary according to the country in which the equipment is used. The illustrations and text may include optional equipment and accessories and may not include all standard equipment. Your CASE dealer/distributor will be able to give you details of the products and their specifications available in your area.



CASE Construction Equipment is biodiesel-friendly. NOTE: All engines meet current EPA emissions regulations. All specifications are stated in accordance with SAE Standards or Recommended Practices, where applicable.



Always read the Operator's Manual before operating any equipment. Inspect equipment before using it, and be sure it is operating properly. Follow the product safety signs and use any safety features provided.

Form No. CCE202209CX190E

**CX190E**

**6 of 6**