

PRELIMINARY

ENGINE

Model	Isuzu AP-4LE2X	
Emissions Certification	Tier 4 Final	
Fuel	Requires ultra low-sulfur fuel B5 biodiesel tolerant	
Type	Water-cooled, 4-cycle, high pressure common rail system. Turbo-charged w/ air cooled intercooler, DPD system	
Cylinders	4-cylinder in-line	
Displacement	134 in ³ (2.2 L)	
Bore/Stroke	3 x 4 in (85 x 96 mm)	
Fuel injection	Direct injection – electronic	
Fuel filter	Replaceable, full flow spin-on cartridge	
Air filter	Dry type element w/ warning restriction indicator	
Oil filter	Replaceable, full flow spin-on cartridge	
Engine gradeability:		
Side-to-side	35°	
Fore and aft	35°	
Net horsepower – SAE J1349 @ 2000 RPM:	54 hp (40 kW)	
Net max. torque – SAE J1349 @ 1800 RPM:	142 lb-ft (193 N·m)	
Cooling operating range:	109.4° to -13° F (43° to -25° C)	
Oil	Requires low-ash oil CJ-4	

DRIVETRAIN

Travel control	Dual stage relief/counter balance design	
Brakes	Mechanical disc	
Service brakes	SAHR disc – each motor	
Two speed travel:		
Max. high speed	Forward/Reverse	3.2 mph (5.1 kph)
Max. low speed		2.1 mph (3.3 kph)
Automatic downshift		
Drawbar pull	13,376 lb (59.5 kN)	
Gradeability	70% – 35° slope	

ELECTRICAL

Voltage	24 Volts	
Alternator rating	50 amp	
Batteries	2 x 12 Volt	
Battery reserve capacity	64 Ah/5 hour	
Work lights	24 Volt	
1 boom	70 watt	
1 upper	70 watt	

OPERATOR ENVIRONMENT

FOPS Level 1 cab top guard; Pressurized cab; One-touch lock front window; AC/heat/defrost w/ auto climate control; 6 watt interior dome light; Mechanical-suspension cloth seat; Adjustable armrest; Low-effort joystick controls; Controls pre-wired for auxiliary; Blade control lever; AM/FM radio w/ antenna and 2 speakers; Anti-theft start code system; Rubber floor mat; 12-volt electric socket; 24-volt cigarette lighter; External rear view mirrors; Windshield wiper/washer; Cup holder; Storage compartments; Travel alarm w/ cancel switch; One key start and lock-up; Built-in full-color LCD monitor; Safety glass for all windows; Polycarbonate roof hatch.

Air conditioner output	13,490 BTU/hr
Heater output	12,900 BTU/hr
Sound level inside cab – ISO6395	73 dBA

ATTACHMENT

Boom	12 ft 8 in (3 870 mm)
Arm	5 ft 7 in (1 710 mm)
Bucket digging force	12,792 lbf (56.9 kN)

OPERATING WEIGHT

Operating weight – std.	16,380 lb (7 430 kg)
w/ shoes	1 ft 6 in (450 mm)
w/ boom	12 ft 4 in (3 750 mm)
w/ arm	5 ft 7 in (1 710 mm)
w/ bucket	463 lb (210 kg)
w/ counterweight	2,138 lb (970 kg)

NOTE: w/ operator/full fuel/standard equipment

GROUND PRESSURE

@ Standard operating weight: 4.8 psi (0.33 bar) w/ 23.6 in (600 mm) triple semi-grouser shoes

HYDRAULICS

System design	Open center	
Main pumps	Two variable displacement/axial piston	
Max. rated flow	19.5 gpm (74 L/min)	
System pressures:		
Boom, arm and bucket	4,264 psi (294 bar)	
Travel circuits	4,264 psi (294 bar)	
Swing circuits	3,278 psi (226 bar)	
Pilot pump	1 x gear design	
Max. capacity	4.8 gpm (18 L/min)	

HYDRAULICS (cont.)

Controls	w/ boom/arm holding valve	
Right track travel, bucket, boom and arm acceleration.	Four-spool section	
Left track travel, bucket, boom and arm acceleration.	Five-spool section	
Swing motor	Fixed displacement axial piston	
Swing final drive	Planetary gear reduction	
Travel motor	Two-speed independent travel/axial piston	

HYDRAULIC CYLINDERS

Boom cylinders	Two (2)	
Cylinder bore	4.5 in (115 mm)	
Cylinder rod diameter	3.0 in (75 mm)	
Cylinder stroke	33.5 in (850 mm)	
Arm cylinder	One (1)	
Cylinder bore	3.9 in (100 mm)	
Cylinder rod diameter	2.6 in (65 mm)	
Cylinder stroke	29.7 in (755 mm)	
Bucket cylinder	One (1)	
Cylinder bore	3.3 in (85 mm)	
Cylinder rod diameter	2.2 in (55 mm)	
Cylinder stroke	26.2 in (665 mm)	

SERVICE CAPACITIES

Fuel tank	32 gal (120 L)
Hydraulic system	25 gal (96.3 L)
Hydraulic tank	13 gal (51 L)
Engine oil w/ filter	3 gal (11.5 L)
Swing drive	10.2 qt (9.7 L)
Final drive	1.2 qt (1.1 L)
Cooling system	3 gal (12.2 L)

OTHER SPECIFICATIONS

Swing speed	0 – 10.4 RPM	
Swing torque	12,539 lb-ft (17 000 N·m)	
Swing brake	Mechanical disc	
Undercarriage:		
Length	9 ft 4 in (2 850 mm)	
Track gauge	6 ft 2 in (1 870 mm)	
Carrier rollers	1	
Track rollers	5	
Shoes – triple grouser	39	
Shoe width – std.	1 ft 6 in (450 mm)	
Link pitch	6.1 in (154 mm)	
Track:		
Chain	Grease lubricated/strutted	
Guides	Single	
Adjustment	Hydraulic	

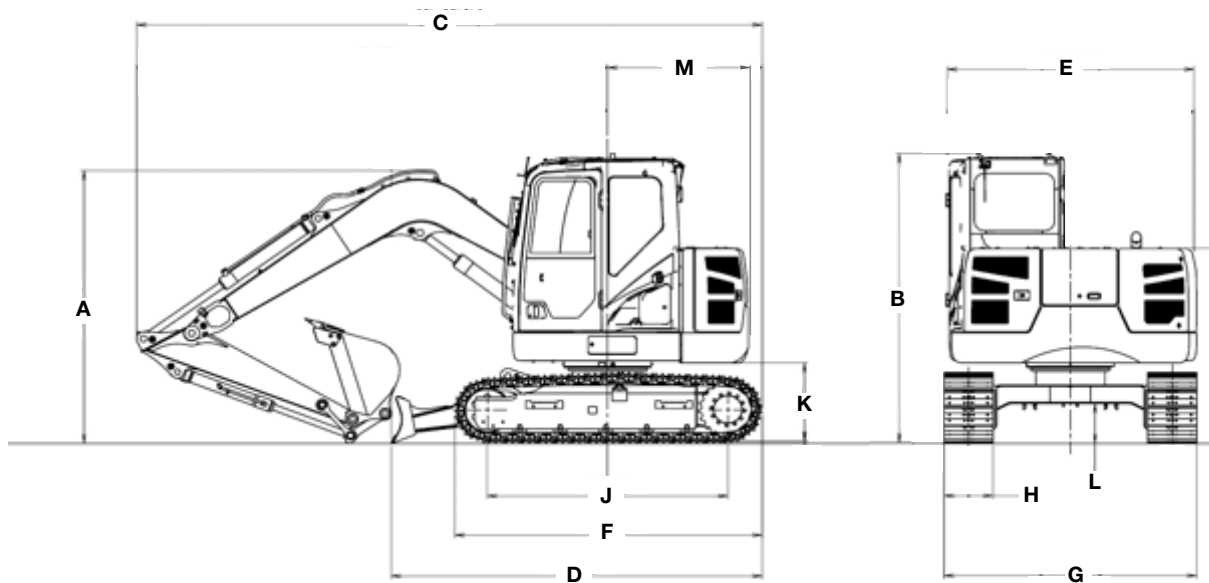
LIFT CAPACITIES WITH BUCKET

5 ft 7 in (1.69 m) Lift capacities calculated using a 450 lb (204 kg) bucket, 2,138 lb (970 kg) counterweight.

Load (Lift Point Height)	5 ft (1.5 m)		10 ft (3 m)		15 ft (4.5 m)		20 ft (6 m)		MAXIMUM REACH			
	END	SIDE	END	SIDE	END	SIDE	END	SIDE	@	END	SIDE	
+20 ft (6 m)			3,750 lb (1 701 kg)	3,750 lb (1 701 kg)						21 ft 4 in (6.50 m)	2,700 lb (1 225 kg)	2,700 lb (1 225 kg)
+15 ft (4.5 m)			4,050 lb (1 837 kg)	4,050 lb (1 837 kg)	3,550 lb (1 610 kg)	3,100 lb (1 406 kg)				17 ft 4 in (5.28 m)	2,300 lb (1 043 kg)	2,300 lb (1 043 kg)
+10 ft (3 m)	8,300 lb (3 765 kg)	8,300 lb (3 765 kg)	5,500 lb (2 495 kg)	5,500 lb (2 495 kg)	3,450 lb (1 565 kg)	2,950 lb (1 338 kg)				19 ft 7 in (5.97 m)	2,100 lb (953 kg)	1,800 lb (816 kg)
+5 ft (1.5 m)			6,300 lb (2 858 kg)	5,300 lb (2 404 kg)	3,250 lb (1 474 kg)	2,750 lb (1 247 kg)	2,000 lb (907 kg)	1,700 lb (771 kg)		20 ft 2 in (6.15 m)	1,950 lb (885 kg)	1,650 lb (748 kg)
Groundline			5,850 lb (2 654 kg)	4,900 lb (2 223 kg)	3,050 lb (1 383 kg)	2,600 lb (1 179 kg)				19 ft 5 in (5.92 m)	2,050 lb (930 kg)	1,700 lb (771 kg)
-5 ft (-1.5 m)	8,250 lb (3 742 kg)	8,250 lb (3 742 kg)	5,800 lb (2 631 kg)	4,800 lb (2 177 kg)	3,050 lb (1 383 kg)	2,550 lb (1 157 kg)				17 ft 1 in (5.21 m)	2,500 lb (1 134 kg)	2,100 lb (953 kg)
-10 ft (-3 m)	8,600 lb (3 901 kg)	8,600 lb (3 901 kg)	5,150 lb (2 336 kg)	4,900 lb (2 223 kg)						12 ft 9 in (3.89 m)	3,400 lb (1 542 kg)	3,350 lb (1 520 kg)

7 ft 2 in (2.19 m) Lift capacities calculated using a 400 lb (181 kg) bucket, 2,138 lb (970 kg) counterweight.

Load (Lift Point Height)	0 ft (0 m)		5 ft (1.5 m)		10 ft (3 m)		15 ft (4.5 m)		20 ft (6 m)		MAXIMUM REACH			
	END	SIDE	END	SIDE	END	SIDE	END	SIDE	END	SIDE	@	END	SIDE	
+20 ft (6 m)					2,350 lb (1 066 kg)	2,350 lb (1 066 kg)						15 ft 0 in (4.57 m)	2,300 lb (1 043 kg)	2,300 lb (1 043 kg)
+15 ft (4.5 m)							3,500 lb (1 588 kg)	3,150 lb (1 429 kg)				19 ft 2 in (5.84 m)	2,000 lb (907 kg)	2,000 lb (907 kg)
+10 ft (3 m)					4,400 lb (1 996 kg)	4,400 lb (1 996 kg)	3,550 lb (1 610 kg)	3,050 lb (1 383 kg)	2,100 lb (953 kg)	1,800 lb (816 kg)		21 ft 3 in (6.48 m)	1,900 lb (862 kg)	1,600 lb (726 kg)
+5 ft (1.5 m)					6,450 lb (2 926 kg)	5,500 lb (2 495 kg)	3,300 lb (1 497 kg)	2,850 lb (1 293 kg)	2,000 lb (907 kg)	1,700 lb (771 kg)		21 ft 9 in (6.63 m)	1,750 lb (794 kg)	1,450 lb (658 kg)
Groundline			4,150 lb (1 882 kg)	4,150 lb (1 882 kg)	5,950 lb (2 699 kg)	4,950 lb (2 245 kg)	3,100 lb (1 406 kg)	2,650 lb (1 202 kg)	1,950 lb (885 kg)	1,650 lb (748 kg)		21 ft 0 in (6.40 m)	1,800 lb (816 kg)	1,500 lb (680 kg)
-5 ft (-1.5 m)	4,750 lb (2 155 kg)	4,750 lb (2 155 kg)	7,100 lb (3 221 kg)	7,100 lb (3 221 kg)	5,750 lb (2 608 kg)	4,800 lb (2 177 kg)	3,000 lb (1 361 kg)	2,550 lb (1 157 kg)				18 ft 11 in (5.77 m)	2,100 lb (953 kg)	1,800 lb (816 kg)
-10 ft (-3 m)			10,950 lb (4 967 kg)	10,950 lb (4 967 kg)	5,800 lb (2 631 kg)	4,900 lb (2 223 kg)	3,050 lb (1 383 kg)	2,550 lb (1 157 kg)				15 ft 0 in (4.57 m)	3,050 lb (1 383 kg)	2,550 lb (1 157 kg)

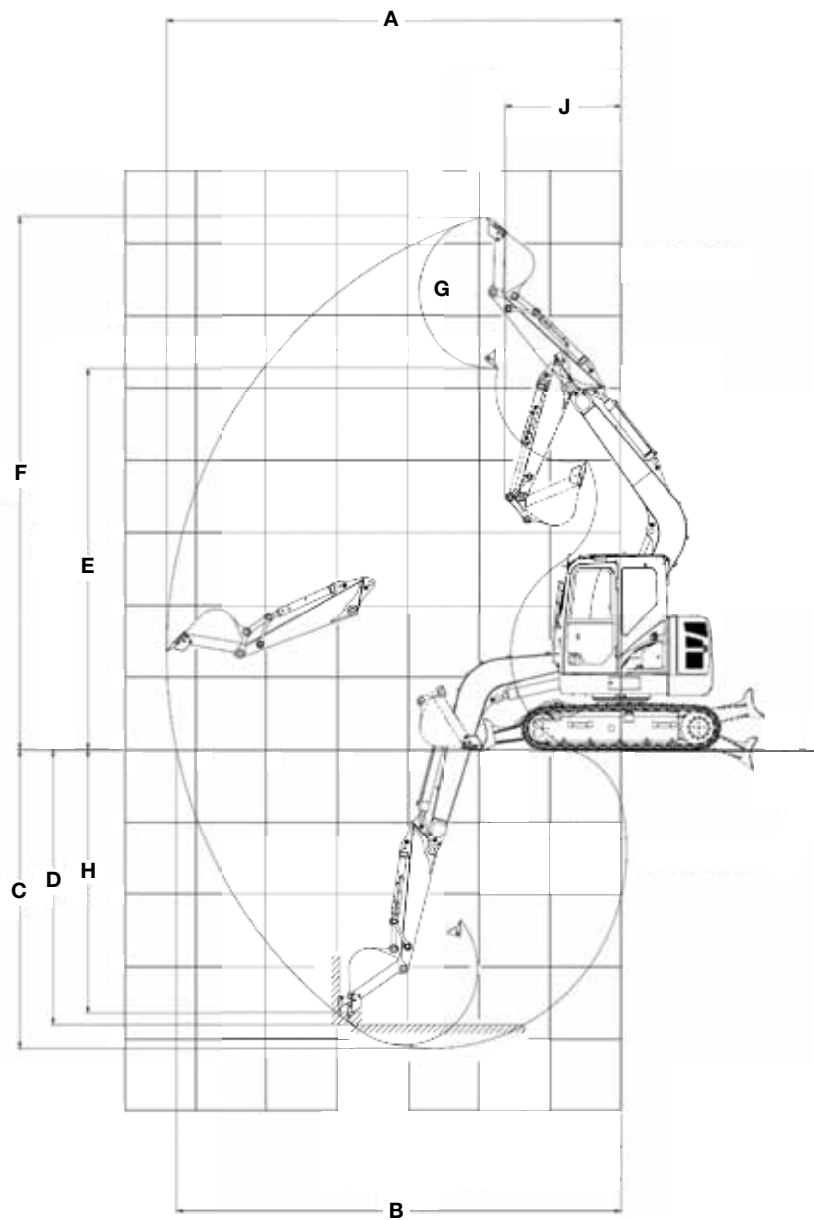


Line drawings are for illustrative purpose only and may not be exact representation of unit.

DIMENSIONS

	5 ft 7 in (1.69 m) Arm	7 ft 2 in (2.19 m) Arm
A. Overall height with attachment	9 ft 1 in (2 760 mm)	9 ft 5 in (2 860 mm)
B. Cab height	9 ft 1 in (2 760 mm)	9 ft 1 in (2 760 mm)
C. Overall length with attachment	18 ft 11 in (5 760 mm)	19 ft 0 in (5 780 mm)
D. Overall length without attachment	9 ft 4 in (2 850 mm)	9 ft 5 in (2 860 mm)
E. Width of upper structure	7 ft 5 in (2 270 mm)	7 ft 5 in (2 270 mm)
F. Track overall length	9 ft 4 in (2 850 mm)	9 ft 4 in (2 850 mm)
G. Track overall width with 17.55 in (450 mm) shoes	7 ft 7 in (2 320 mm)	7 ft 7 in (2 320 mm)
H. Track shoe width	1 ft 6 in (450 mm)	1 ft 6 in (450 mm)
Track gauge	6 ft 2 in (1 870 mm)	6 ft 2 in (1 870 mm)
J. Center to center – idler to sprocket	7 ft 3 in (2 210 mm)	7 ft 3 in (2 210 mm)
K. Upper structure ground clearance	2 ft 6 in (750 mm)	2 ft 6 in (750 mm)
L. Minimum ground clearance	1 ft 2 in (360 mm)	1 ft 2 in (360 mm)
M. Rear tail swing radius	4 ft 3 in (1 290 mm)	4 ft 3 in (1 290 mm)
Operating weight*	16,380 lb (7 430 kg)	16,457 lb (7 465 kg)
Ground pressure	4.8 psi (0.33 bar)	4.8 psi (0.33 bar)

*With 17.55 in (450 mm) track shoe, 460 lb (210 kg) bucket, 165 lb (75 kg) operator, full fuel and standard equipment.



Line drawings are for illustrative purpose only and may not be exact representation of unit.

PERFORMANCE SPECS

	5 ft 7 in (1.69 m) Arm	7 ft 2 in (2.19 m) Arm
A. Maximum dig radius	21 ft 0 in (6 410 mm)	22 ft 7 in (6 890 mm)
B. Dig radius at groundline	20 ft 7 in (6 270 mm)	22 ft 2 in (6 760 mm)
C. Maximum dig depth	13 ft 7 in (4 130 mm)	15 ft 2 in (4 630 mm)
D. Dig depth – 8 ft 0 in (2.44 m) level bottom	12 ft 6 in (3 800 mm)	14 ft 4 in (4 360 mm)
E. Dump height	17 ft 4 in (5 280 mm)	18 ft 7 in (5 670 mm)
F. Maximum reach height	24 ft 2 in (7 370 mm)	25 ft 6 in (7 770 mm)
G. Bucket rotation	177°	177°
H. Maximum vertical wall dig depth	11 ft 11 in (3 640 mm)	13 ft 9 in (4 200 mm)
J. Minimum swing radius	5 ft 4 in (1 630 mm)	6 ft 6 in (1 970 mm)
Arm digging force	8,880 lb (39.5 kN)	7,599 lb (33.8 kN)
Bucket digging force*	12,792 lb (56.9 kN)	12,792 lb (56.9 kN)

*Digging force ratings based on ISO6015.

STANDARD EQUIPMENT

OPERATOR ENVIRONMENT

See page 1

ENGINE

Isuzu four-cylinder turbo-charged diesel
Certified Tier 4 Final
Electronic fuel injection
Neutral safety start
Auto-engine warm up
Glow-plug pre-heat
One-touch idle
Dual-stage fuel filtration
Dual element air filter
Remote oil filter
Green plug oil drain
500-hour engine oil change interval
24-volt system
Color LCD monitor

HYDRAULICS

ISO pattern controls
5,000 hour hydraulic oil change interval
1,000 hour hydraulic filter change interval
SAHR brake
Three (3) work mode settings

UPPER STRUCTURE

Right and left side mirrors
Isolation mounted cab – fluid
Common key vandal locks
Upper mounted work light – 70 watt
Cab mounted work light - 70 watt
Swivel guard belly pan

UNDERCARRIAGE

1 ft 6 in (0.45 m) steel shoes, triple semi-grouser
Full overlap turntable bearing tub
Front track chain guides
Hydraulic track adjustment
X-pattern carbody

FRONT BLADE

Hydraulically controlled front blade:
7 ft 7 in (2.31 m) width
1 ft 6 in (0.45 m) height

ATTACHMENT

Standard boom and arm:
Boom – 12 ft 8 in (3.87 m)
Arm – 5 ft 7 in (1.69 m)
Offset boom and arm:
Boom – 12 ft 10 in (3.92 m)
Arm – 5 ft 9 in (1.75 m)
Boom mounted work light – 70 watt
Attachment cushion valve

OPTIONAL EQUIPMENT

OPERATOR ENVIRONMENT

Control pattern selector
FOPS cab top guard – Level 2
Front grill guard – 2 x 2 screen mesh
Front rock guard:
Vertical bars – fixed/one piece/OPG 2

HYDRAULICS

Auxiliary hydraulics
Single acting
Double acting
Standard boom only:
Double acting bi-directional
Proportional controls

UNDERCARRIAGE

23.6 in (600 mm) steel shoes,
triple semi-grouser*
1 ft 6 in (0.45 m) rubber pads bolted to
standard rail

* Note: blade will not fully cover 23.6" shoe

ATTACHMENT

Arm for std. boom – 6 ft 11 in (2.12 m)
Coupler/Case multi-pin grabber
Heavy-duty bucket



NOTE: All specifications are stated in accordance with SAE Standards or Recommended Practices, where applicable.

NOTE: All engines meet current EPA emissions requirements.

IMPORTANT: Case Construction Inc. reserves the right to change these specifications without notice and without incurring any obligation relating to such change. Case Construction Inc. does not warrant the safety or reliability of attachments from other manufacturers.

CASE is a trademark registered in the United States and many other countries, owned by or licensed to CNH Industrial N.V., its subsidiaries or affiliates. CNH Industrial Capital is a trademark in the United States and many other countries, owned by or licensed to CNH Industrial N.V., its subsidiaries or affiliates.



www.casece.com