



## ENGINE

Model	Kubota D902
Emissions Certification	Tier 4 Final
Fuel	Diesel
Cylinders	3
Displacement	54.8 in <sup>3</sup> (898 cc)
Fuel injection	Mechanical
Gross horsepower – SAE J1995 @ 2300 RPM:	16.8 hp (12.5 kW)
Net horsepower – SAE J1349 @ 2300 RPM:	15.8 hp (11.8 kW)
Maximum Engine Torque @ 1900 RPM:	39.49 lb ft (53.54 Nm)
Cooling	Water-cooled

## DRIVETRAIN

Travel speeds:	
1st	1.4 mph (2.2 kph)
2nd	2.6 mph (4.2 kph)
Maximum traction force	3,300 lb (1 420 kg)
Gradeability	30° (58%)
Ground pressure	3.98 psi (0.25 kgf/cm <sup>2</sup> )

## ELECTRICAL

Voltage	12 Volts
Alternator rating	40 amp
Battery	1 x 12 V x 45 Ah 420 CCA

## OPERATOR ENVIRONMENT

TOPS/FOPS two post canopy; ISO 6396:  
2008 sound pressure level LpA=76 dB (A);  
Pilot operated hand controls; Adjustable seat w/  
seat belt; Arm rests; 12V socket.

Display includes:

Engine oil pressure lamp; Water temperature  
lamp; Low fuel warning lamp; Battery charge  
lamp; Engine preheat lamp; Travel speed lamp;  
Air cleaner warning lamp; Hyd. quick coupler  
lock lamp; High travel speed lamp; Water  
temperature gauge; Fuel gauge; and Hour meter.

## OPERATING WEIGHT

Canopy operating weight:	
Short arm	3,910 lb (1 775 kg)
Long arm w/additional counterweight	4,110 lb (1 865 kg)

NOTE: w/rubber tracks/no quick coupler/bucket/  
fluids/full of fuel/165 lb operator.

## HYDRAULICS

Main pumps:	Variable displacement tandem axial piston pump + gear pump
Max rated flow:	2 x 5 + 3 gpm (2 x 18.8 L/min @ 170 bar)
Auxiliary flow	7.2 gpm @ 2,466 psi (27.4 L/min @ 170 bar)

System relief pressure:	
Standard	2,420 psi (170 bar)
Overload relief valve pressure	3,270 psi (230 bar)

Pilot control hydraulic system:	
Pump	Gear pump
Maximum capacity	1.8 gpm (6.8 L/min)

Control valves:	
Pilot control for left/right track travel, boom, arm, bucket and swing	
Manual control for breaker and backfill blade	

Swing motor:	Fixed displacement orbit
--------------	--------------------------

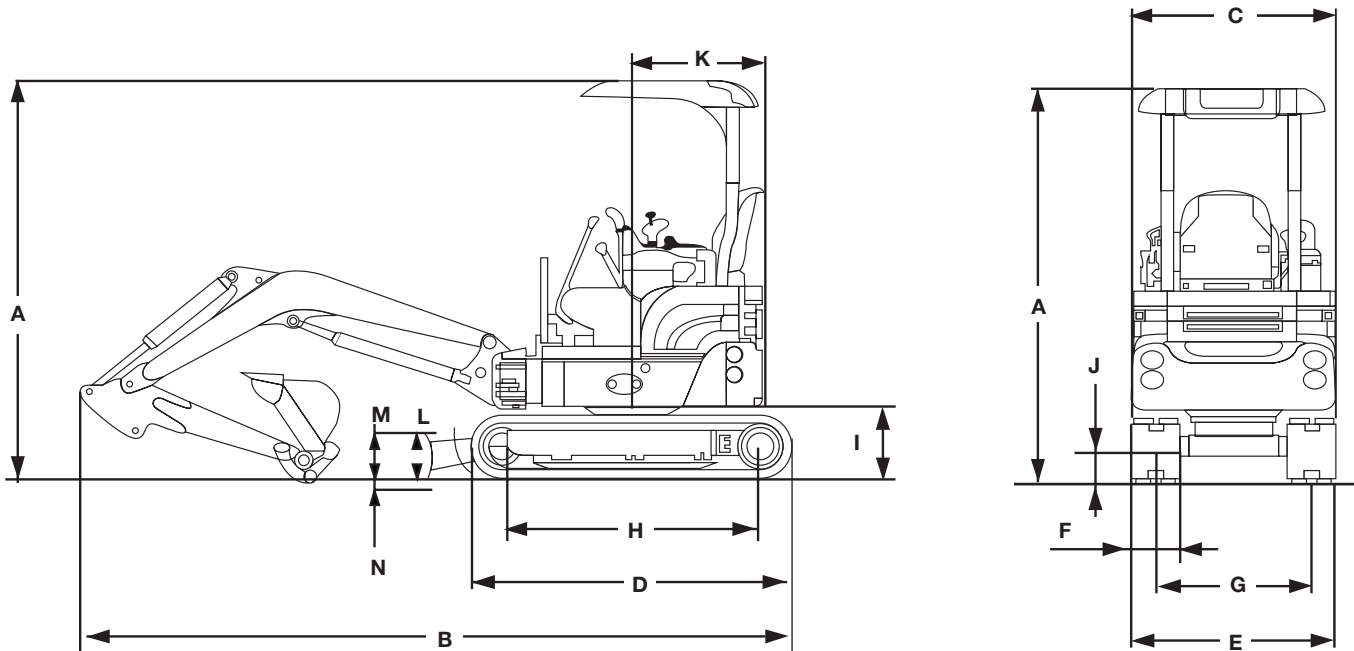
Travel motor:	Variable displacement axial piston 2-stage planetary
---------------	---

## SERVICE CAPACITIES

Fuel tank	5.3 gal (20 L)
Hydraulic tank:	
Refill capacity	3.4 gal (13 L)
Total system	6.1 gal (23 L)
Engine oil w/filter change	1.0 gal (3.7 L)
Radiator	0.9 gal (3.5 L)

## OTHER SPECIFICATIONS

Swing speed	0 – 9.5 RPM
Undercarriage:	
Track rollers	3 each
Boom:	
Swing	70° left/54° right
Length	5 ft 11 in (1.8 m)
Arm:	
Standard length	3 ft 2 in (0.96 m)
Long arm length	3 ft 8 in (1.12 m)



Line drawings are for illustrative purpose only and may not be exact representation of unit.

### DIMENSIONS

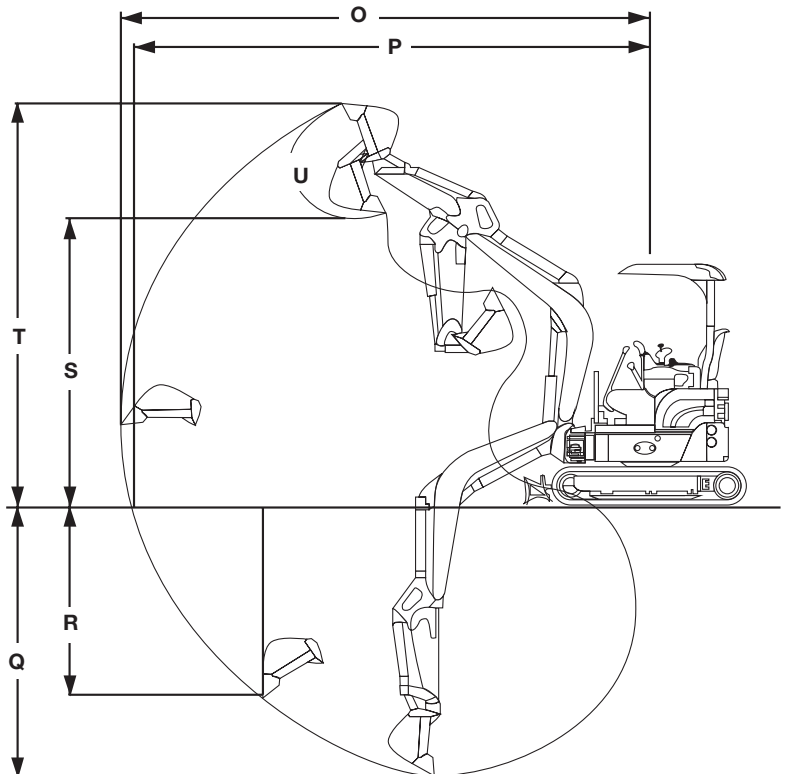
	<b>3 ft 2 in (0.96 m) Arm</b>
A. Overall height	7 ft 7 in (2 320 mm)
B. Overall transport length	11 ft 5 in (3 480 mm)
C. Width of upper structure	2 ft 11 in (890 mm)
D. Track overall length	5 ft 3 in (1 590 mm)
E. Track overall width:	
Retracted	3 ft 3 in (990 mm)
Extended	4 ft 3 in (1 300 mm)
F. Track shoe width	9.0 in (230 mm)
G. Track gauge:	
Retracted	2 ft 6 in (760 mm)
Extended	3 ft 6 in (1 070 mm)
H. Center to center - idler to sprocket	4 ft 0 in (1 230 mm)
I. Upper structure ground clearance	1 ft 5 in (440 mm)
J. Minimum ground clearance	6.7 in (170 mm)
K. Tail swing radius:	
Standard counterweight	2 ft 1 in (645 mm)
Additional counterweight	2 ft 4 in (720 mm)
Boom swing	70° left/54° right
Tail swing overhang:	
Standard counterweight	0 in (0 mm)
Additional counterweight	3 in (70 mm)

### BLADE SPECS

L. Backfill blade height	9.8 in (250 mm)
M. Backfill blade rise above ground	11.2 in (285 mm)
N. Backfill blade dig depth	8.9 in (225 mm)
Backfill blade width	4 ft 3 in (1 300 mm)

### PERFORMANCE SPECS

	<b>3 ft 2 in (0.96 m) Arm</b>	<b>3 ft 8 in (1.12 m) Arm</b>
O. Maximum dig radius	12 ft 10 in (3 900 mm)	13 ft 3 in (4 030 mm)
P. Dig radius at groundline	12 ft 6 in (3 800 mm)	12 ft 11 in (3 940 mm)
Q. Maximum dig depth	7 ft 3 in (2 200 mm)	7 ft 9 in (2 350 mm)
R. Vertical straight wall dig depth	4 ft 4 in (1 320 mm)	4 ft 10 in (1 460 mm)
S. Dump height	8 ft 5 in (2 570 mm)	8 ft 10 in (2 670 mm)
T. Overall reach height	11 ft 9 in (3 580 mm)	12 ft 1 in (3 680 mm)
U. Bucket rotation	187°	187°
Arm digging force - ISO	1,920 lbf (870 kgf/8.5 kN)	1,710 lbf (775 kgf/7.6 kN)
Bucket digging force - ISO	3,490 lbf (1 580 kgf/15.5 kN)	3,490 lbf (1 580 kgf/15.5 kN)



## LIFT CAPACITIES

**5 ft 11 in (1.8 m) Boom, 3 ft 2 in (0.96 m) Arm, Dozer Blade Down** Canopy unit equipped with 0.04 m<sup>3</sup> (SAE heaped) bucket, 9 in (230 mm) rubber track (extended) and 414 lb (188 kg) counterweight.

Load/Lift Point Height	LOAD RADIUS										AT MAXIMUM REACH		
	3 ft (1.0 m)		5 ft (1.5 m)		7 ft (2.0 m)		8 ft (2.5 m)		10 ft (3.0 m)		REACH	CAPACITY	
	END	SIDE	END	SIDE	END	SIDE	END	SIDE	END	SIDE		@	END
+8 ft (2.5 m)							670 lb* (310 kg)*	670 lb* (310 kg)*			9 ft 0 in (2.74 m)	580 lb* (260 kg)*	580 lb* (260 kg)*
+7 ft (2.0 m)							710 lb* (320 kg)*	710 lb* (320 kg)*	710 lb* (320 kg)*	510 lb (230 kg)	10 ft 1 in (3.07 m)	560 lb* (260 kg)*	490 lb (220 kg)
+5 ft (1.5 m)					970 lb* (440 kg)*	970 lb* (440 kg)*	820 lb* (370 kg)*	690 lb (310 kg)	750 lb* (340 kg)*	500 lb (230 kg)	10 ft 9 in (3.27 m)	570 lb* (260 kg)*	430 lb (190 kg)
+3 ft (1.0 m)					1,340 lb* (610 kg)	950 lb (430 kg)	990 lb* (450 kg)*	660 lb (300 kg)	820 lb* (370 kg)*	490 lb (220 kg)	11 ft 0 in (3.36 m)	610 lb* (280 kg)*	400 lb (180 kg)
+2 ft (0.5 m)					1,630 lb* (740 kg)*	890 lb (400 kg)	1,140 lb* (520 kg)*	630 lb (290 kg)	900 lb* (410 kg)*	470 lb (210 kg)	11 ft 0 in (3.36 m)	690 lb* (310 kg)*	390 lb (180 kg)
Groundline			1,520 lb* (690 kg)*	1,410 lb (640 kg)	1,740 lb* (790 kg)*	860 lb (390 kg)	1,220 lb* (550 kg)*	610 lb (280 kg)	930 lb* (420 kg)*	460 lb (210 kg)	10 ft 8 in (3.26 m)	820 lb* (370 kg)*	400 lb (180 kg)
-2 ft (-0.5 m)	1,610 lb* (730 kg)*	1,610 lb* (730 kg)*	2,240 lb* (1 020 kg)*	1,410 lb (640 kg)	1,680 lb* (760 kg)*	860 lb (390 kg)	1,200 lb* (540 kg)*	600 lb (270 kg)	890 lb* (400 kg)*	460 lb (210 kg)	10 ft 0 in (3.06 m)	860 lb* (390 kg)*	440 lb (200 kg)
-3 ft (-1.0 m)	2,280 lb* (1 030 kg)*	2,280 lb* (1 030 kg)*	2,180 lb* (990 kg)*	1,440 lb (650 kg)	1,480 lb* (670 kg)*	870 lb (390 kg)	1,050 lb* (480 kg)*	610 lb (280 kg)			8 ft 11 in (2.71 m)	900 lb* (410 kg)*	540 lb (240 kg)
-5 ft (-1.5 m)	2,690 lb* (1 220 kg)*	2,690 lb* (1 220 kg)*	1,510 lb* (690 kg)*	1,480 lb (670 kg)	1,030 lb* (470 kg)*	900 lb (410 kg)					7 ft 0 in (2.13 m)	920 lb* (420 kg)*	810 lb (370 kg)

NOTE: Lifting capacity are based on ISO 10567.

Lifting capacity does not exceed 75% of tipping load with the machine on firm, level ground or 87% of full hydraulic capacity.

The lift point is a hook located on the back of the bucket.

\*Indicates load limited by hydraulic capacity.

**5 ft 11 in (1.8 m) Boom, 3 ft 8 in (1.12 m) Arm, Dozer Blade Down** Canopy unit equipped with 0.04 m<sup>3</sup> (SAE heaped) bucket, 9 in (230 mm) rubber track (extended) and 591 lb (268 kg) counterweight.

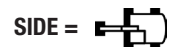
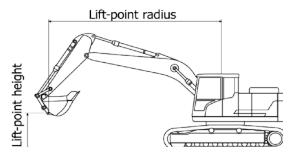
Load/Lift Point Height	LOAD RADIUS												AT MAXIMUM REACH		
	3 ft (1.0 m)		5 ft (1.5 m)		7 ft (2.0 m)		8 ft (2.5 m)		10 ft (3.0 m)		12 ft (3.5 m)		REACH	CAPACITY	
	END	SIDE	END	SIDE	END	SIDE	END	SIDE	END	SIDE	END	SIDE		@	END
+10 ft (3.0 m)													8 ft 0 in (2.43 m)	550 lb* (250 kg)*	550 lb* (250 kg)*
+8 ft (2.5 m)							580 lb* (260 kg)*	580 lb* (260 kg)*					9 ft 7 in (2.93 m)	480 lb* (220 kg)*	480 lb* (220 kg)*
+7 ft (2.0 m)							620 lb* (280 kg)*	620 lb* (280 kg)*	640 lb* (290 kg)*	580 lb (260 kg)			10 ft 8 in (3.24 m)	470 lb* (210 kg)*	470 lb* (210 kg)*
+5 ft (1.5 m)							740 lb* (340 kg)*	740 lb* (340 kg)*	690 lb* (310 kg)*	570 lb (260 kg)			11 ft 3 in (3.43 m)	470 lb* (210 kg)*	450 lb (200 kg)
+3 ft (1.0 m)			2,060 lb* (940 kg)*	1,740 lb (790 kg)	1,210 lb* (550 kg)	1,080 lb (490 kg)	910 lb* (410 kg)*	750 lb (340 kg)	770 lb* (350 kg)*	550 lb (250 kg)	540 lb* (250 kg)*	420 lb (190 kg)	11 ft 7 in (3.52 m)	500 lb* (230 kg)*	420 lb (190 kg)
+2 ft (0.5 m)			1,260 lb* (570 kg)*	1,260 lb* (570 kg)*	1,540 lb* (700 kg)*	1,010 lb (460 kg)	1,080 lb* (490 kg)*	710 lb (320 kg)	860 lb* (390 kg)*	530 lb (240 kg)	590 lb* (270 kg)*	410 lb (190 kg)	11 ft 6 in (3.51 m)	550 lb* (250 kg)*	410 lb (190 kg)
Groundline	880 lb* (400 kg)*	880 lb* (400 kg)*	1,500 lb* (680 kg)*	1,500 lb* (680 kg)*	1,700 lb* (770 kg)*	970 lb (440 kg)	1,190 lb* (540 kg)*	690 lb (310 kg)	910 lb* (410 kg)*	520 lb (240 kg)			11 ft 3 in (3.42 m)	640 lb* (290 kg)*	420 lb (190 kg)
-2 ft (-0.5 m)	1,400 lb* (640 kg)*	1,400 lb* (640 kg)*	2,050 lb* (930 kg)*	1,570 lb (710 kg)	1,700 lb* (770 kg)*	960 lb (440 kg)	1,200 lb* (540 kg)*	680 lb (310 kg)	900 lb* (410 kg)*	510 lb (230 kg)			10 ft 7 in (3.23 m)	790 lb* (360 kg)*	460 lb (210 kg)
-3 ft (-1.0 m)	1,980 lb* (900 kg)*	1,980 lb* (900 kg)*	2,350 lb* (1 070 kg)*	1,590 lb (720 kg)	1,540 lb* (700 kg)*	970 lb (440 kg)	1,100 lb* (500 kg)*	680 lb (310 kg)					9 ft 7 in (2.91 m)	840 lb* (380 kg)*	540 lb (250 kg)
-5 ft (-1.5 m)	2,640 lb* (1 200 kg)*	2,640 lb* (1 200 kg)*	1,780 lb* (810 kg)*	1,630 lb (740 kg)	1,190 lb* (540 kg)*	990 lb (450 kg)							7 ft 10 in (2.39 m)	870 lb* (400 kg)*	750 lb (340 kg)

NOTE: Lifting capacity are based on ISO 10567.

Lifting capacity does not exceed 75% of tipping load with the machine on firm, level ground or 87% of full hydraulic capacity.

The lift point is a hook located on the back of the bucket.

\*Indicates load limited by hydraulic capacity.



## STANDARD EQUIPMENT

### ENGINE

Kubota D902 diesel  
Water cooled  
Engine access under rear hood  
Glow plug starting aid  
Dry type air cleaner with restriction indicator

### ELECTRICAL

12-volt electrical starting system  
Heavy-duty battery  
Battery Master Switch  
Key Start  
Anti-Theft-Engine starting passwords  
Front working light  
Horn  
Pre-wired – Telematics ready

### HYDRAULICS

Auxiliary hydraulics – single/bi-directional – and plumbing to arm  
Large hydraulic oil cooler  
Control pattern selector valve  
Cylinder rod protection covers – Dozer and Boom

### TRACK DRIVE

Rubber belt tracks  
Automatic 2-speed travel  
Fully hydrostatic drive system  
Sealed and lubricated track rollers  
Track tension adjustment – grease type  
Extendable track

### UPPER STRUCTURE

Zero tail swing  
Standard arm: 3 ft 2 in (0.96 m)

### OPERATOR ENVIRONMENT

See page 1

### OTHER

Swing boom – 70° left/54° right  
Hydraulic backfill blade with adjustable width

### WARRANTY

Base warranty coverage: 2-Year/3,000-Hour  
Full Machine Limited Warranty

## OPTIONAL EQUIPMENT

### OPERATOR ENVIRONMENT

Travel alarm

### OTHER

Additional counterweight adds 180 lb (82 kg)  
Optional long arm: 3 ft 8 in (1.12 m)  
Hydraulic quick coupler provision  
Klac coupler  
Mechanical coupler  
Hydraulic hammer  
Hydraulic compactor  
Hydraulic auger  
Beacon  
Cylinder rod protection covers – Arm and Bucket

## CaseCE.com

©2018 CNH Industrial America LLC. All rights reserved. CASE is a trademark registered in the United States and many other countries, owned by or licensed to CNH Industrial N.V., its subsidiaries or affiliates. CNH Industrial Capital is a trademark in the United States and many other countries, owned by or licensed to CNH Industrial N.V., its subsidiaries or affiliates. Printed in U.S.A. Contains 10% post-consumer fiber.

IMPORTANT: CASE Construction Equipment Inc. reserves the right to change these specifications without notice and without incurring any obligation relating to such change. Availability of some models and equipment builds vary according to the country in which the equipment is used. The illustrations and text may include optional equipment and accessories and may not include all standard equipment. Your CASE dealer/distributor will be able to give you details of the products and their specifications available in your area.



CASE Construction Equipment is biodiesel-friendly. NOTE: All engines meet current EPA emissions regulations. All specifications are stated in accordance with SAE Standards or Recommended Practices, where applicable.



Always read the Operator's Manual before operating any equipment. Inspect equipment before using it, and be sure it is operating properly. Follow the product safety signs and use any safety features provided.

Form No. CCE201806CX17C  
Replaces Form No. CCE201709CX17C

CX17C

4 of 4